

XTR SAFETY




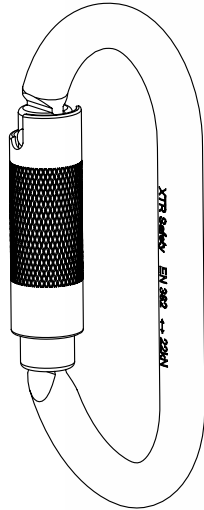
VRT-SRY-01
Vertical Glider

www.nexgenconstruction.co.uk
info@nexgenconnstruction.co.uk

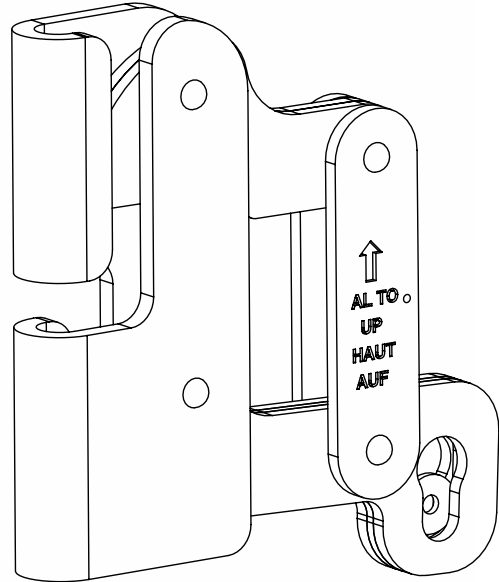
NEXGEN
Construction

Façade Access | External Cladding Systems | Fall Protection

 Includes

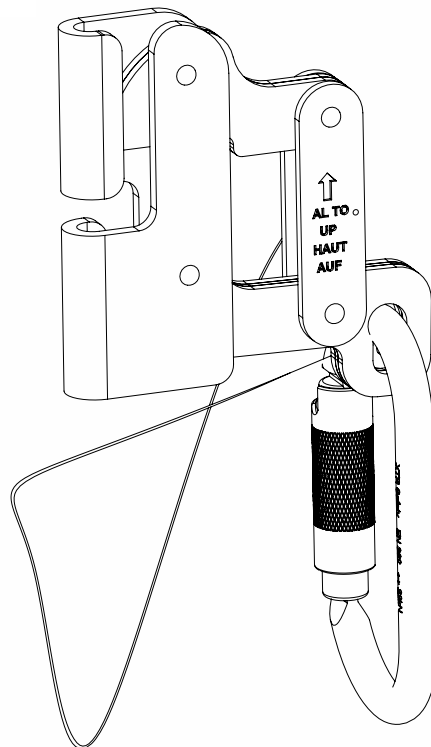


XTR-CRB-02
Triple Lock Karabina



VRT-SRY-01

 Final Product

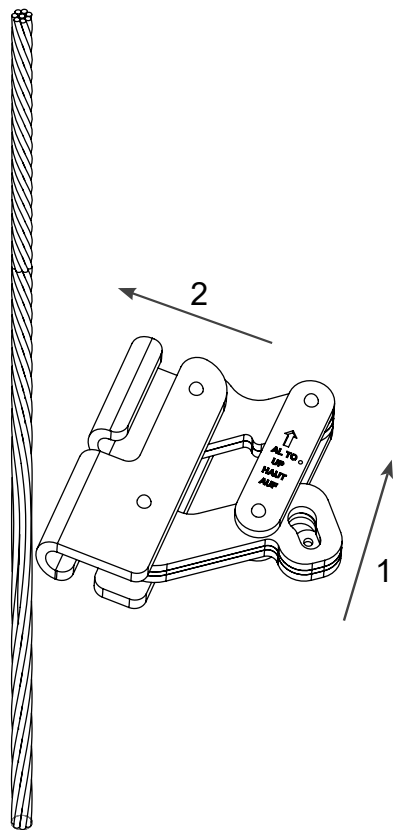


0,64 kg

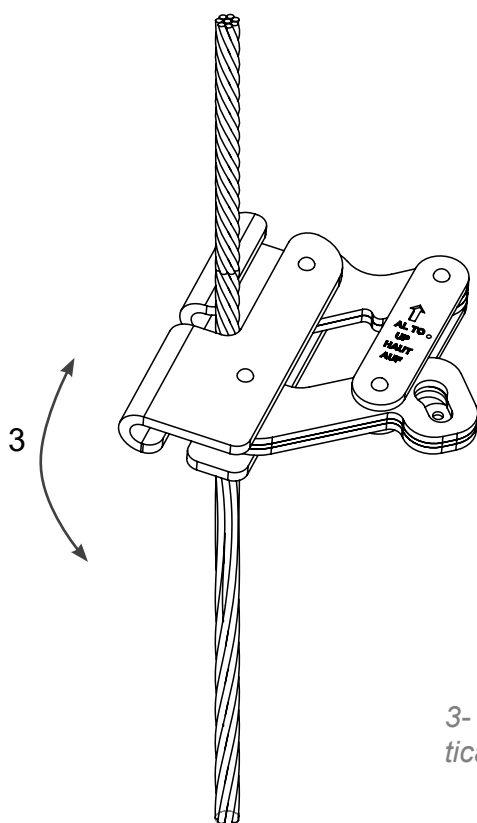
Min. Breaking Load 22 kN

Material:

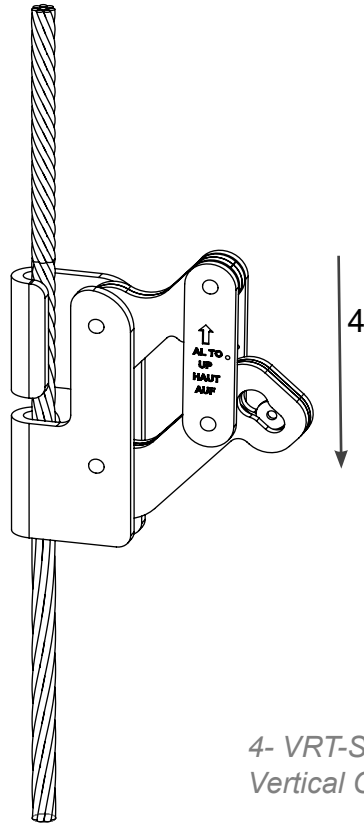
AISI 316



1- Lift up the locking mechanism of VRT-SRY-01 vertical carriage
2- Place steel rope in horizontal position



3- Bring the VRT-SRY-01 Vertical Carriage to the vertical position so that the arrow direction points up.



4- VRT-SRY-01- Lower the locking mechanism of the Vertical Carriage and close the mechanism.

