

XTR

SAFETY

VRT-EXT-01
EXTENSION POLE



www.nexgenconstruction.co.uk
info@nexgenconstruction.co.uk

NEXGEN
Construction

Façade Access | External Cladding Systems | Fall Protection

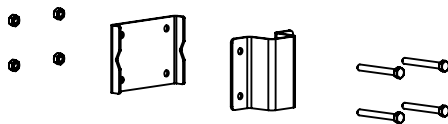


Includes



Extension Pole

Top Mounting Bracket



x4 M8*70mm Bolt
x4 M8 Lock Nut

Bottom Mounting Bracket



x2 M12*120mm Bolt
x2 M12 Lock Nut

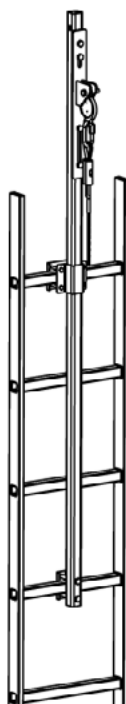
Insulation



x1 500*40*4 mm



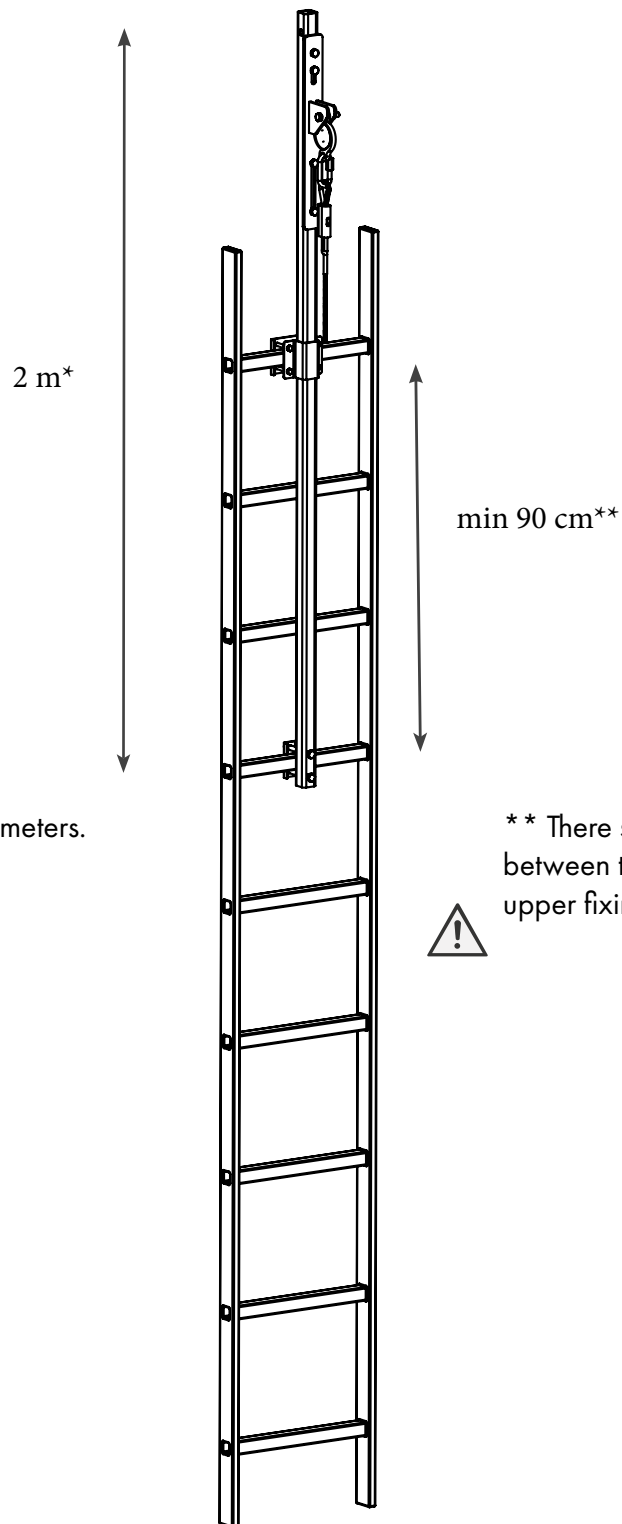
Final Product



7,2 kg

Min. Breaking Load 30 kN | Material:

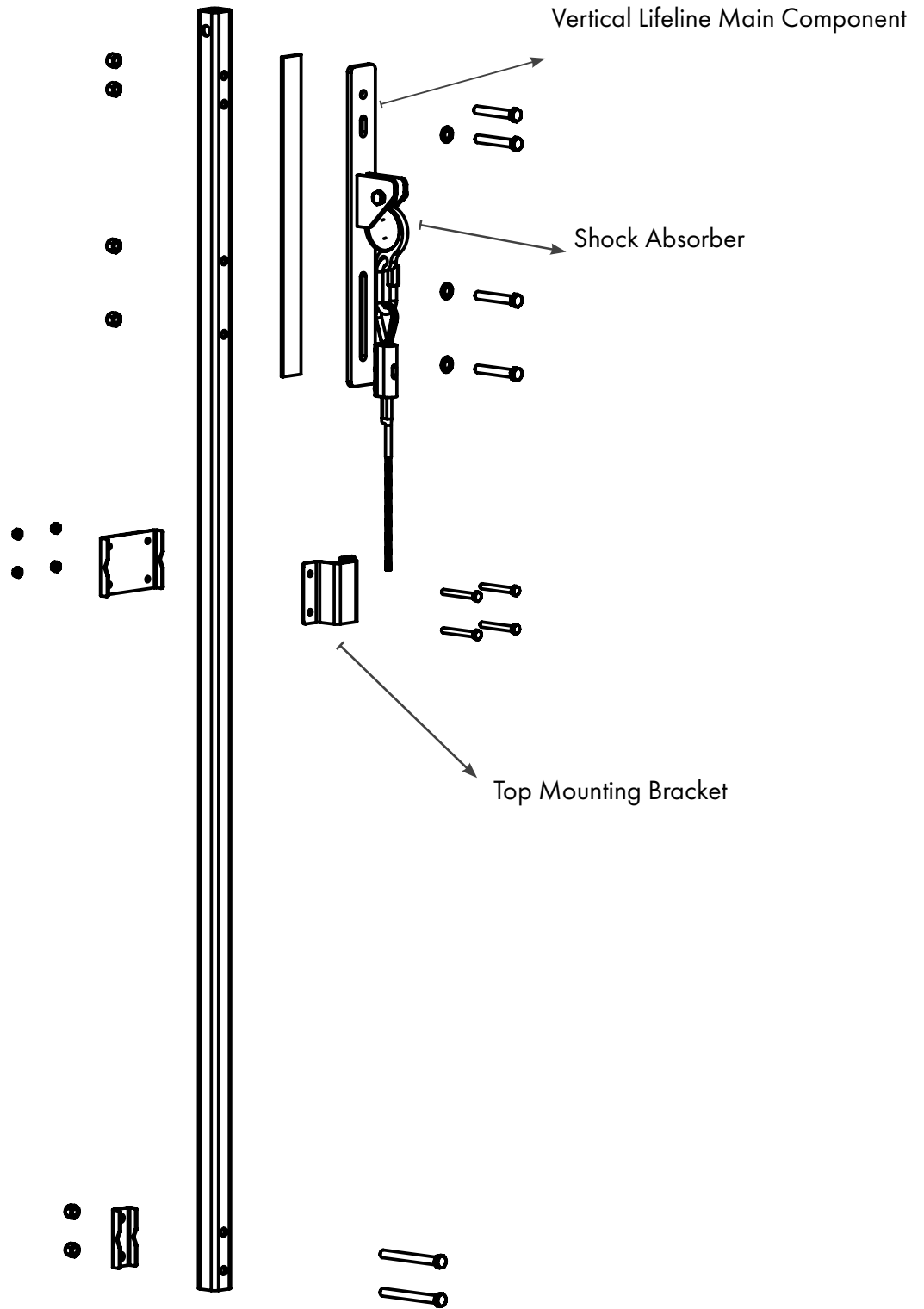
St-37

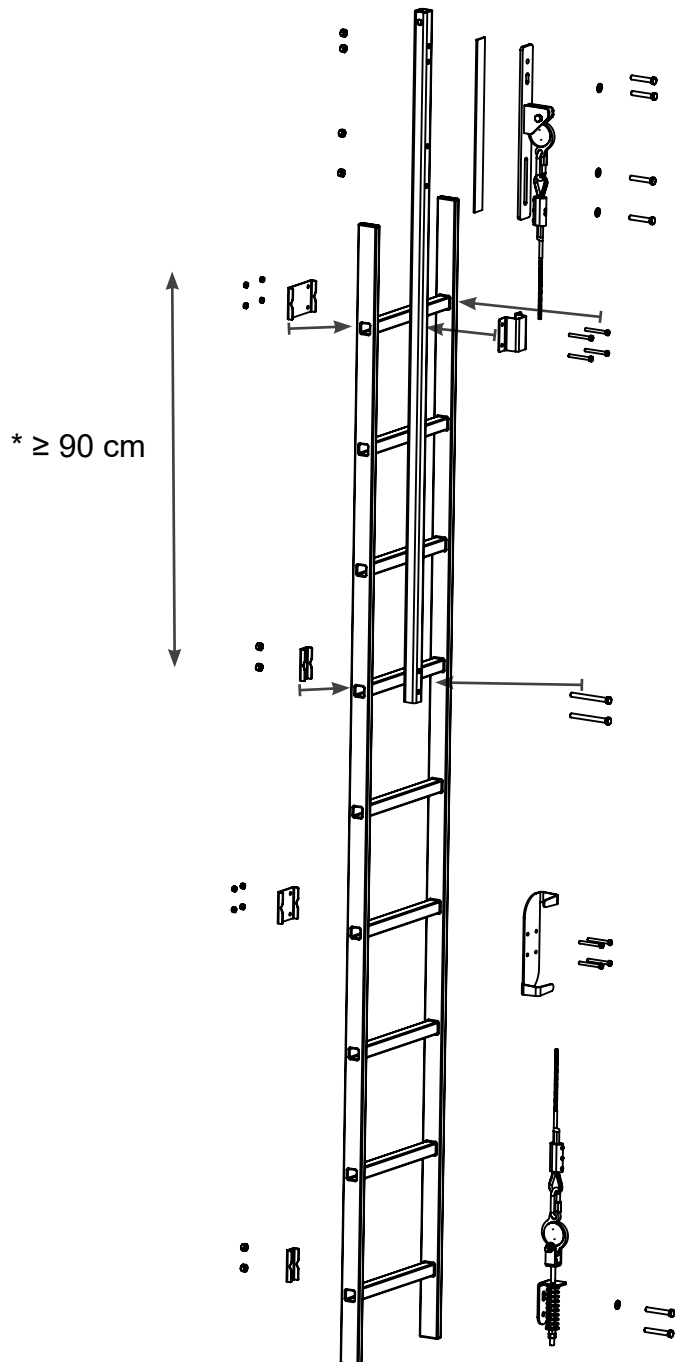


* Length of the extension rod is 2 meters.

** There should be a minimum of 90 cm between the lower fixing bracket and the upper fixing bracket.



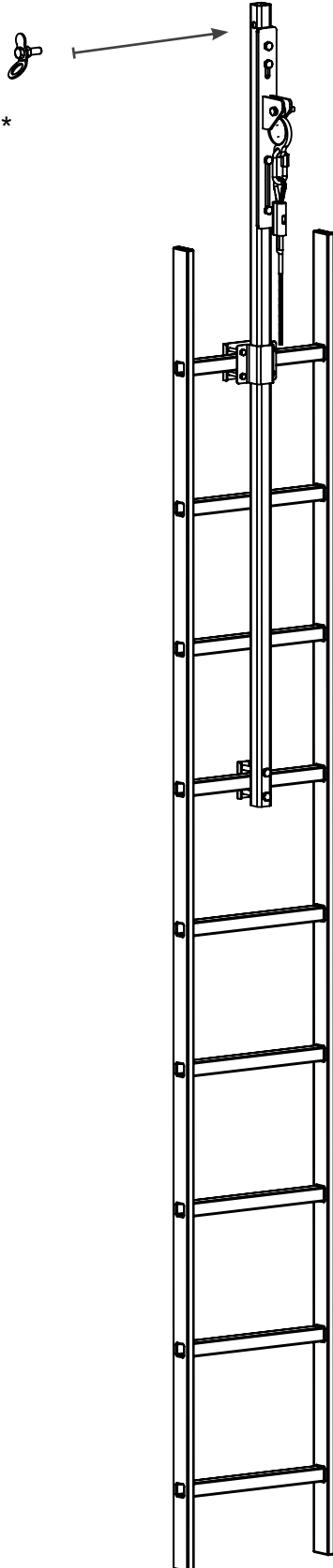




VRT-01-EXT Extension rod is located at the top of the ladder, at the midpoint of the rungs. It is fixed to the ladder with mounting brackets.



SNG-01-1P*



* SNG-01-1P Single Point Anchor (1 person)

There is a mounting slot for single point anchor on the extension bracket.
Compatible product: SNG-01-1P (optional)