

XTR
SAFETY

NEXGEN
Construction

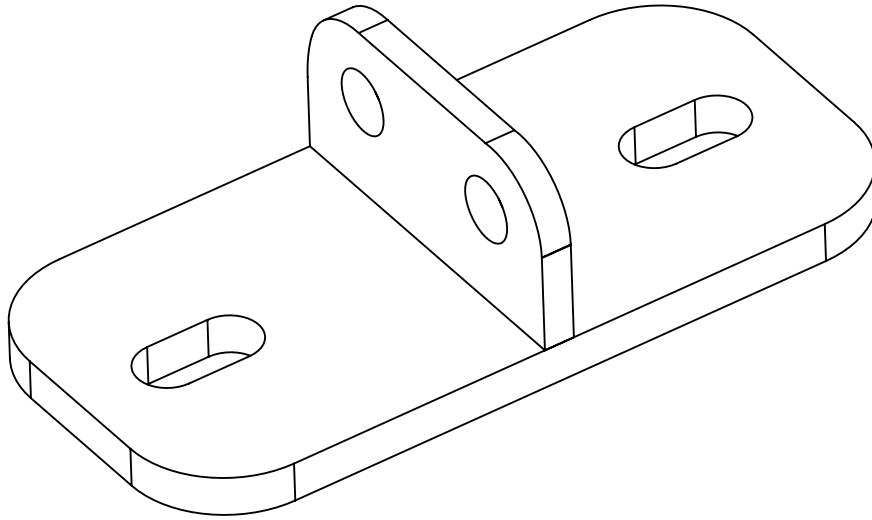
Façade Access | External Cladding Systems | Fall Protection



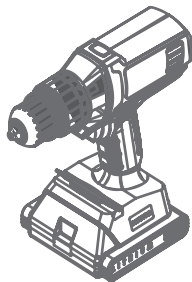
www.nexgenconstruction.co.uk
info@nexgenconstruction.co.uk

SNG-05
Concrete Anchor

 Includes



 Installation Tools

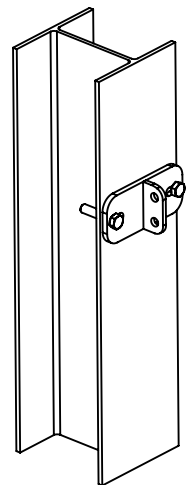
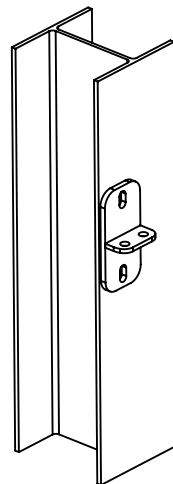
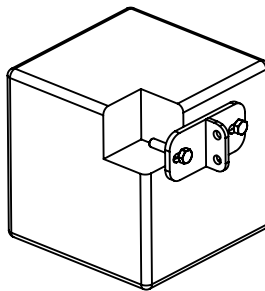
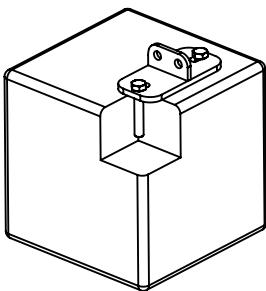


Drill



19 Spanner

 Usage Examples



0,74 kg

Min. Breaking Strength

30 kN

Material

AISI304

SNG-05 SINGLE POINT ANCHORAGE

Single Point Anchor Element

EN795:2012 ve CEN TS 16415:2013 Type A - 4 Person

TECHNICAL DETAILS

SNG-05 Anchor Element has been tested in accordance with EN795: 2012 and CEN TS 16415: 2013 Type A standard.

SNG-05: 4 people capacity

- It can work in 4 directions horizontally. It can be mounted on angled surfaces.
- It can be mounted on steel or concrete surfaces. The mounted surface must have a minimum breakage value of at least 22 kN.
- SNG-05 anchorage element ??? It starts to stretch when a load of more than kg is applied.

	SNG-05
Capacity	4 Person
Certificate	EN795 Type A CEN / TS 16415 Type A
Rope Access	OK
Fall Stop	OK
positioning	OK
Recovery	OK
Routing Anchor	OK

WARNINGS

The XTR Safety Anchor Element Operator's Manual must be read in detail before assembly and each use, and the warnings contained herein must be strictly observed!

The information contained in this manual cannot be changed and added / subtracted without the written permission of XTR Safety. Any changes can cause serious injury.

VISUAL CONTROLS BEFORE EACH USE

Before each use, the visual control detailed below should be performed on the anchoring element and related system parts.

- Check that the connecting bolts and nuts are not loose in any way.
- It should be observed that there is no level of corrosion, oil and dirt on the system elements to prevent use.
- It should be checked that there is no wear and tear to prevent the use of system elements.

- It should be observed that the ground (steel, concrete, etc.) on which the anchors are applied maintains integrity and there are no cracks, tears, etc.

If any of the above-mentioned situations are observed, the fall arrest system / element should not be used, the situation should be reported and authorized technical service should be called.

SAFETY INSTRUCTIONS

XTR Safety fall arrest systems must be used in accordance with the safety instructions below. Fall arrest systems should never be used for any purpose.

- Fall arrest systems can only be used by people who have completed the trainings specified in the relevant legislation.
- Never use fall arrest systems to carry loads! Fall arrest systems have been developed for personal safety. Hanging, connecting and using any load other than this purpose can be life-threatening.
- Check the assembly delivery report for the maximum number of people who can use the fall arrest system at the same time. This information is also available on the labels on the system.
- Fall arrest systems should only be installed by trained and experienced personnel authorized by the manufacturer.
- An emergency response plan should be available, covering all possible rescue situations during operation.
- Before starting work, necessary measures should be taken to prevent any objects from falling down from the workplace. Security area should be created under the working area.
- It must be connected to the system with the appropriate personal protective equipment recommended by XTR Safety so that the load that may occur during a fall does not exceed 6kN. No other material should be used.
- In case of a decrease, the system should never be used, authorized service should be called.
- Exposure of system elements to an acidic or corrosive material should be avoided. If possible, information should be obtained from the authorized technical service.
- Anchorage elements must not be modified or modified in any way without the manufacturer's written permission.
- Contact of stainless steel system elements with an abrasive material can cause corrosion. Therefore, system elements should be kept away from corrosive and corrosive materials.
- In case of suspicion about the safe operation of the attachment system, the system should be discontinued and the authorized service should be called.
- Products must be packed so that they are not damaged during transportation.

- Product life is 25 years provided that periodic maintenance is carried out regularly.
- This product user guide in the language of the country concerned is to be used outside of Turkey must be prepared.
- Before each use, the fall zone under the system should be checked and a safe fall distance should be ensured. The safe fall distance is calculated by the following method:

Safe Distance = L + F + H + 1m	
L	Total lanyard length used, including the length of the shock absorber in its opened position
F	System flexing distance
H	Person's height
1m	Safety Share

- Health status can negatively affect working at height. Before starting to work at height, health check should be done and relevant reports should be obtained.
- Children and pregnant women should not use the fall arrest system.
- Shock absorbers used in fall arrest systems absorb shock by deforming during any fall, this is normal. After each fall, the system should be inspected by the technical service and shock absorbers or anchorage elements should be replaced as necessary.
- XTR Safety is not responsible for problems caused by user errors.

COMPATIBLE HARDWARE

The SNG-05 Anchor Element can only be connected with personal protective equipment with the following standards approved by XTR Safety.

- EN361: Full body seat belts
- EN362: Lockable carabiners
- EN354: Connection lanyards
- EN355: Shock absorbers on Lanyard
- EN360: Rewind fall arrester
- The user guides of the personal protective equipment used should be examined in detail and used accordingly.
- If different brands and models of personal protective equipment are used together, it should be ensured that they work in harmony with each other and that this situation is approved by the manufacturers.
- CAUTION: In order to eliminate the risk of sharp corners in horizontal use, personal protective equipment with sharp corner tests must be used by the manufacturer.
- XTR Safety is not responsible for problems arising from the use of unsuitable personal protective equipment.

CAN BE USED TOGETHER XTR SAFETY PRODUCTS

SNG-05 Anchoring Element can be mounted alone on various surfaces.

INSTALLATION SAFETY INSTRUCTIONS

SNG-05 Anchor Element should be installed at the points deemed appropriate by the manufacturer, by considering the following issues.

- The floor on which the anchor will be mounted should be chosen so as to have the power to meet the loads that may occur. If necessary, assistance should be obtained from a relevant static specialist. If concrete is to be installed, the quality of the concrete should be C20 / 25 or higher.
- All bolt and nut connections should be torqued to the required values.
- In case of mounting on a non-standard or non-standard surface, a tensile test must be performed before installing anchors.
- Fall arrest systems should be planned in such a way that they do not fall off the edge according to the personal protective equipment to be used by the personnel to work. Design should be done in a way to eliminate the effect of the pendulum (swings).
- Stainless bolts / nuts should be mounted during assembly using a mounting paste.
- The labels and warnings on the product must be ensured to be complete and readable after installation.
- On the product periodic inspection form, the installation date and future inspection date should be clearly visible.
- All anchorage elements should only be installed by an installation team authorized by XTR Safety.
- After the assembly, "Assembly Delivery Report" should be prepared and delivered to the business. This report should be kept by the enterprise.

PERIODIC INSPECTION

All fall arrest systems must be inspected periodically after installation. These checks should be done and documented at least once a year, depending on the usage intensity of the systems.

- After the installation of fall arrest systems, the owner of the system is responsible for the perfect condition of the system. Periodic control service should be obtained from the authorized service in order to ensure this situation. The enterprise must have the fall arrest systems inspected at least once a year depending on the intensity of use. Periodic control period may be shortened in enterprises with high usage intensity. You can get information from the installation team on the subject.
- Periodic inspection should only be carried out by teams authorized by XTR Safety.
- After each periodic inspection, "Periodic Inspection Report" is filled in and delivered by the service. This report must be kept by the business until the next inspection.
- The date of the next inspection should be written after the periodic inspection.
- Systems whose periodic inspections are not made on time are out of warranty.
- In case of a decrease in the system, authorized service should be called immediately without waiting for the periodic inspection date. Systems that are not approved by the service should never be used.

WARRANTY

- Under normal use, XTR Safety Fall Stop Systems have a 25-year warranty against manufacturing defects. If the system or system elements are installed in corrosive and corrosive conditions, surface corrosion can be seen on the system elements used. To minimize this situation, it is necessary to increase the frequency of periodic examinations.
- The warranty does not cover corrosion formation.
- Systems not installed by expert teams authorized by XTR Safety are not covered by the warranty.
- Systems whose periodic inspections are not made on time are out of warranty.
- During a fall, some of the system elements may be deformed to reduce the fall effect (opening the shock absorbers, flexing the system elements, strain, etc.). The deformations that will occur in this case are not covered by the warranty. All parts deformed after a fall should be replaced by an authorized service.
- The warranty covers only XTR Safety brand products. Problems arising from the surface and structure installed, externally used brackets and elements, mechanical connection products etc. not covered by warranty. In this case, the responsibility belongs to the assembly company. The assembly company is responsible for the

selection of the surface where the anchorage assembly is made to meet the loads that may occur in the lifeline.

- You can get detailed information about the warranty coverage on the www.xtrsafety.com website.

PRODUCT INFORMATION CARD / LABEL

Information labels are available on all installed XTR Safety Fall Arrest Systems. Heed the warnings on these labels.

Information on the label:

- Product Brand
- Related Standards
- Warnings
- Maximum number of people to use at the same time
- User manual data matrix
- Next inspection date
- Product code
- Manufacturer contact information



SNG-05
ANKRAJ ELEMANI
Anchor Element

UYARI / WARNING

- Periyodik bakımı yapılmamış ürünler kullanılmamalıdır
Products should not be used if periodical inspection is missing
- Sadece eğitilmiş personel tarafından kullanılmalıdır
Must be used by trained personnel
- Kullanmadan önce kullanım kılavuzunu okuyun
Read users manual before using this anchor



EN795:2012 T ype A - CEN/TS 16415:2013

Yüksek İşler | +90 212 259 7205 www.xtrsafety.com

APPROVED TESTING ORGANIZATION

EN795: 2012 and CEN TS 16415: 2013 tests of the product have been done and certified by BSI - British Standard Institute.



MANUFACTURER

Yüksek İşler Prod. Taah. Dan. Tic. Ltd. Şti.
+90 212 2597205
www.xtrsafety.com
www.yuksekisler.com

HARDWARE REGISTRATION

PRODUCT:

Model and type / identity:

Trade Name:

Identification Number:

Manufacturer:

Adress:

Tel, Fax, e-Mail and WEB Site:

Production Date:

Purchase Date:

Starting Date:

PERIODIC INSPECTION AND CARE HISTORY

Date	Description of Work Done / Damage Detected and Repair	Notes	Authorized Personnel and Signature	Next Inspection Date

Additional Description:

This document should be kept by the enterprise in order to maintain the warranty coverage of horizontal lifeline. It must be filled by the authorized service during each periodic check. In the event of loss, the installer should be informed. This document should be kept with the user manual and the line delivery report.