

XTR
SAFETY

NEXGEN
Construction

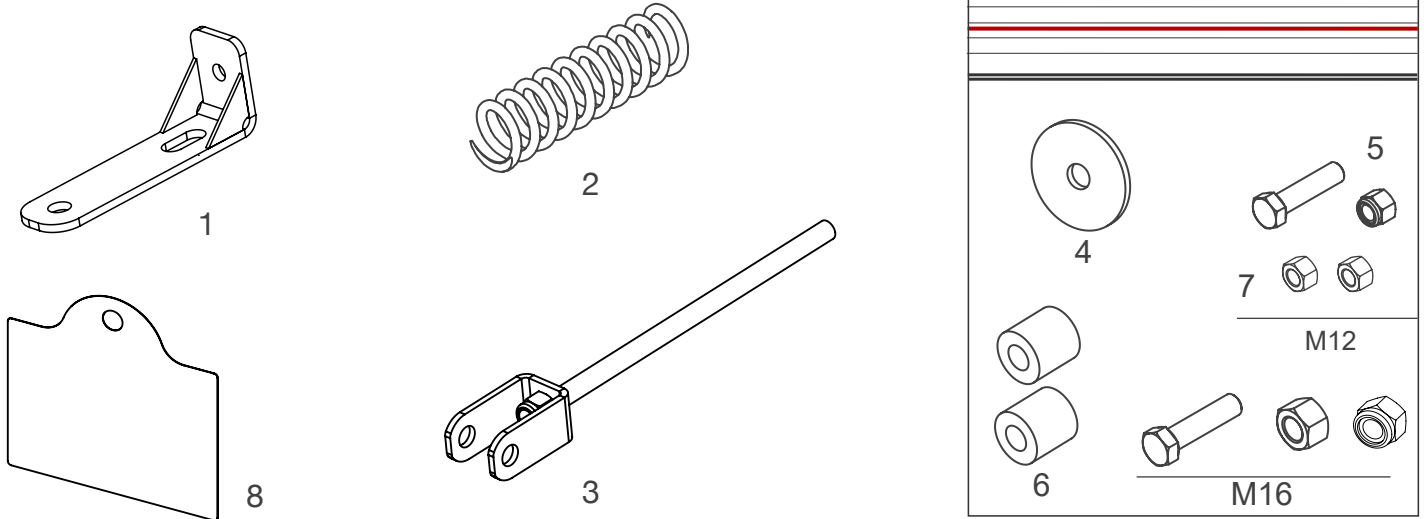
Façade Access | External Cladding Systems | Fall Protection



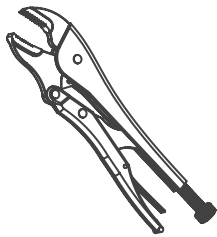
www.nexgenconstruction.co.uk
info@nexgenconstruction.co.uk

HR-TENS-01 OH
Overhead Tensioner

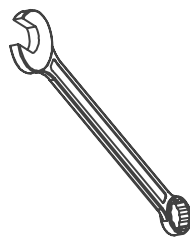
 Includes



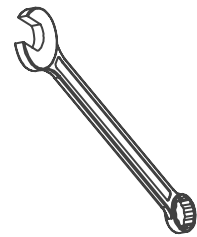
 Installation Tools



Wrench

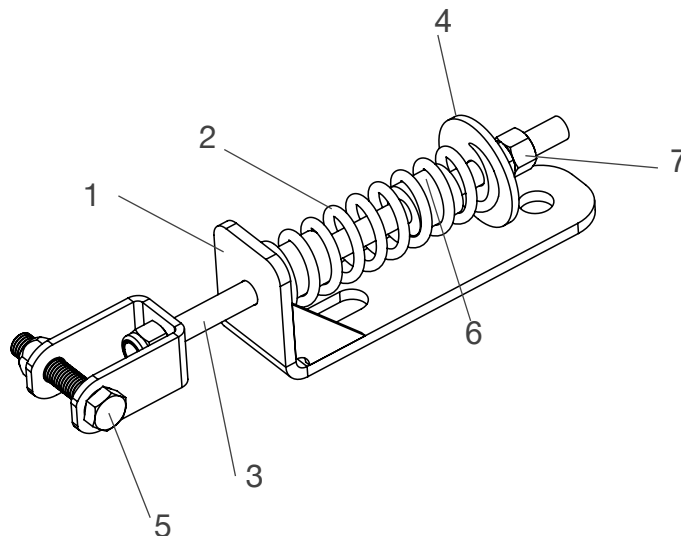


1 x 19 Spanner



2x 24 Spanner

 Final Product



1,3 kg

Min. Strength

30 kN

Material

AISI304