

XTR SAFETY


NEXGEN Construction

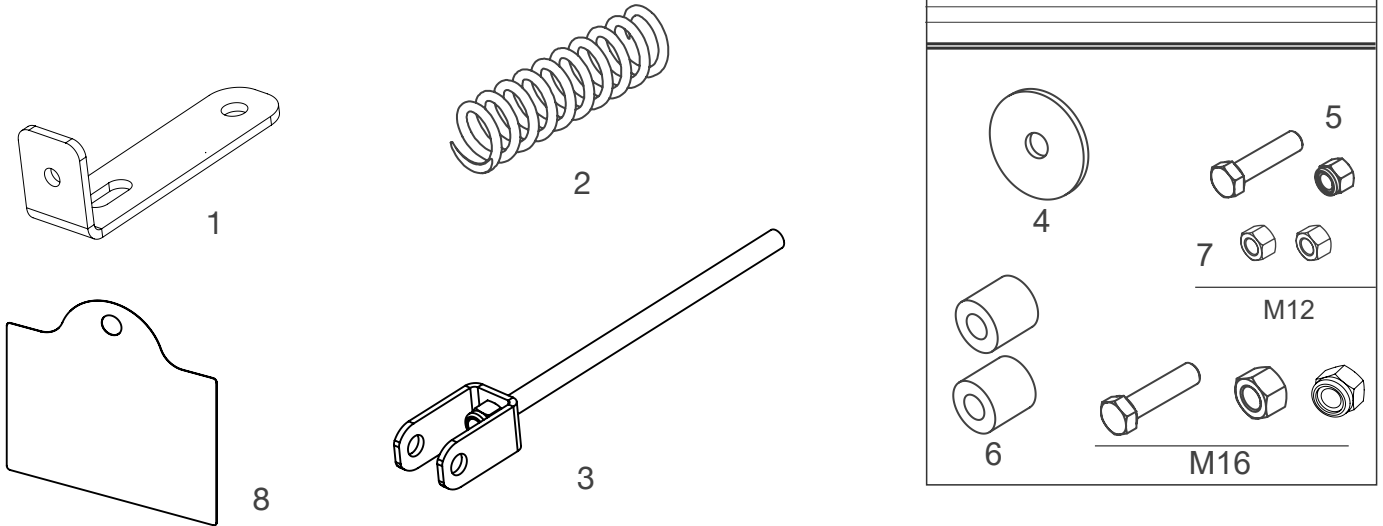
Façade Access | External Cladding Systems | Fall Protection



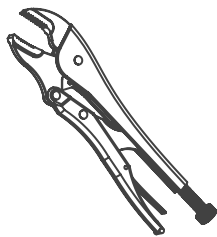
www.nexgenconstruction.co.uk
info@nexgenconstruction.co.uk

HR-TENS-01L
LITE Tensioner

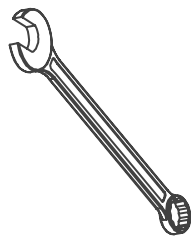
 Includes



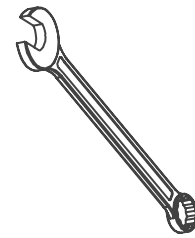
 Installation Tools




Wrench

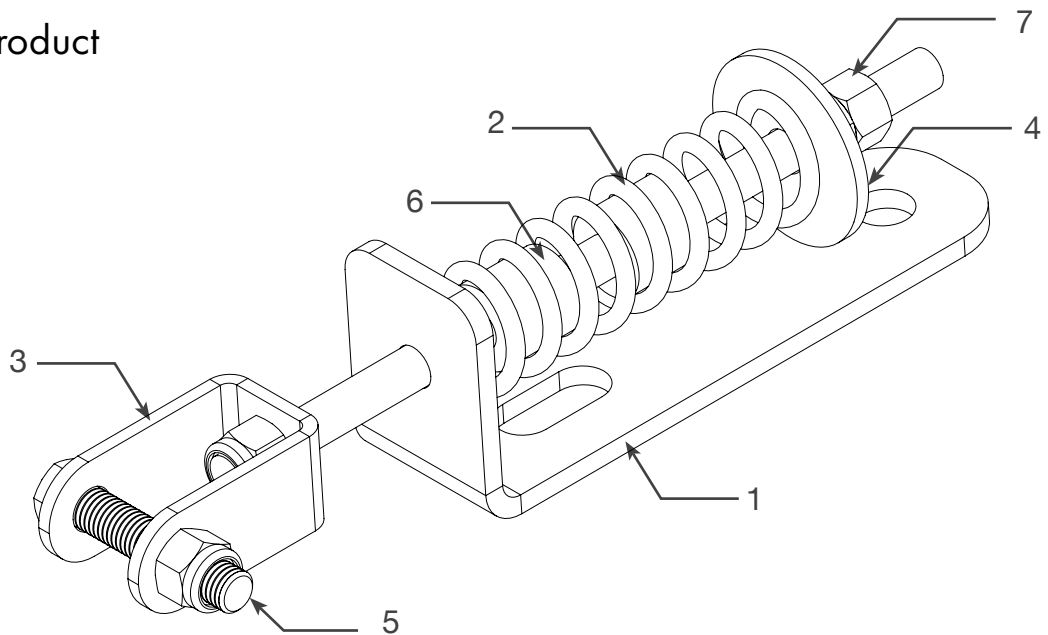


1x 19 Spanner



2 x 24 Spanner

 Final Product



1,2 kg

Min. Strength

30 kN

Material

AISI 304