

XTR

SAFETY

NEXGEN

Construction

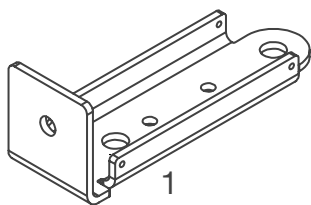
Façade Access | External Cladding Systems | Fall Protection



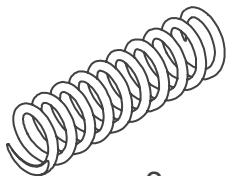
www.nexgenconstruction.co.uk
info@nexgenconstruction.co.uk

HR-TENS-01
Tensioner

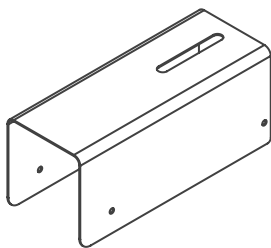
 Includes



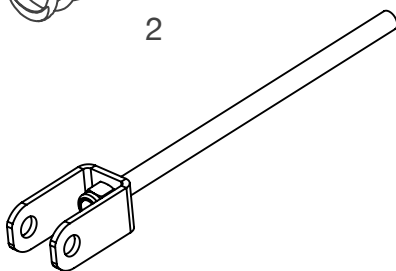
1



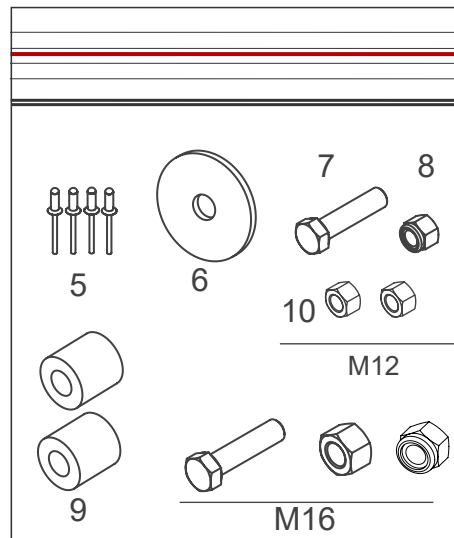
2



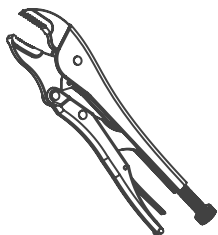
3



4



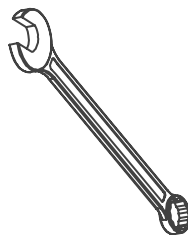
 Installation Tools



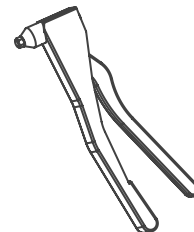
Wrench




1 x 19 Spanner

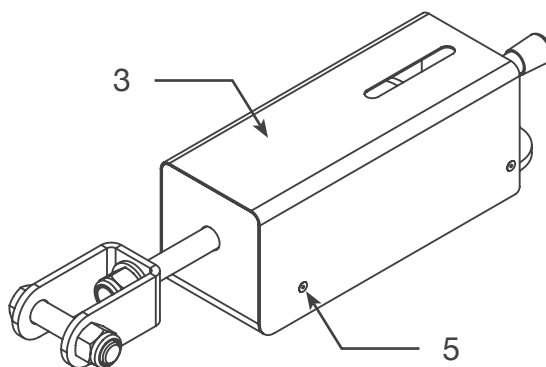
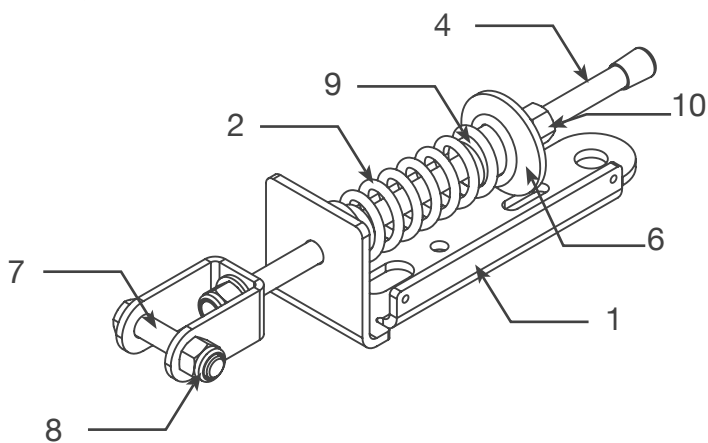


2x 24 Spanner



Rivet Gun

 Final Product



2,1 kg

Min. Strength

30 kN

Material

AISI304