

XTR SAFETY


HR-SRY-05 - SIRIUS

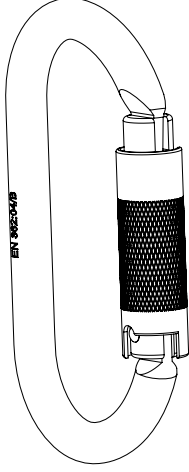


www.nexgenconstruction.co.uk
info@nexgenconstruction.co.uk

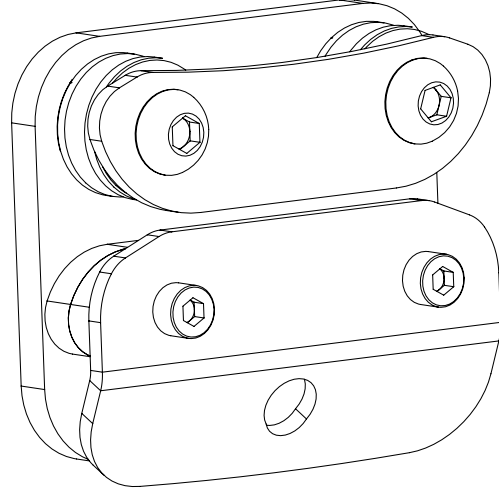
NEXGEN
Construction

Façade Access | External Cladding Systems | Fall Protection

 Includes

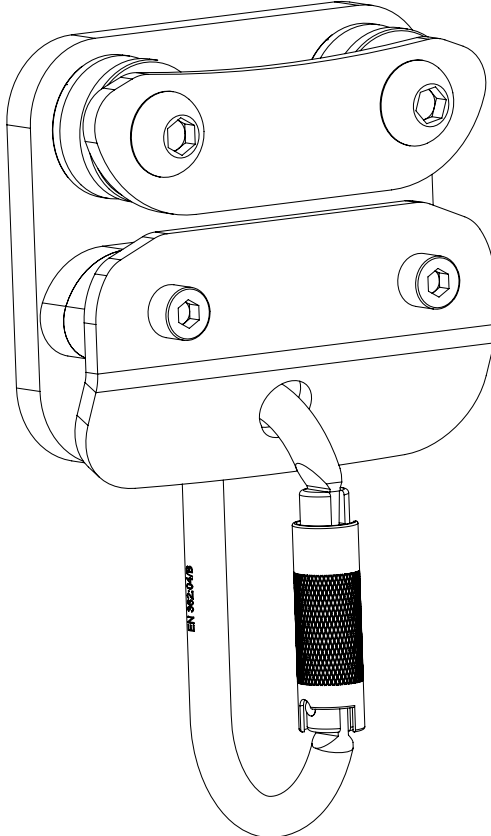


XTR-CRB-02
Triple Lock Karabina



HR-SRY-05

 Final Product



XTR
SAFETY

SRY-05
BAŞÜSTÜ ŞARYO
Overhead Slider

UYARI / WARNING

- Periyodik bakımı yapılmamış ürünler kullanılmamalıdır
Products should not be used if periodical inspection is missing
- Sadece eğitimli personel tarafından kullanılmalıdır
Must be used by trained personnel
- Kullanmadan önce kullanım kılavuzunu okuyun
Read users manual before using this anchor

EN795:2012 Type C

Yüksek İşler | +90 212 259 7205 www.xtr-safety.com





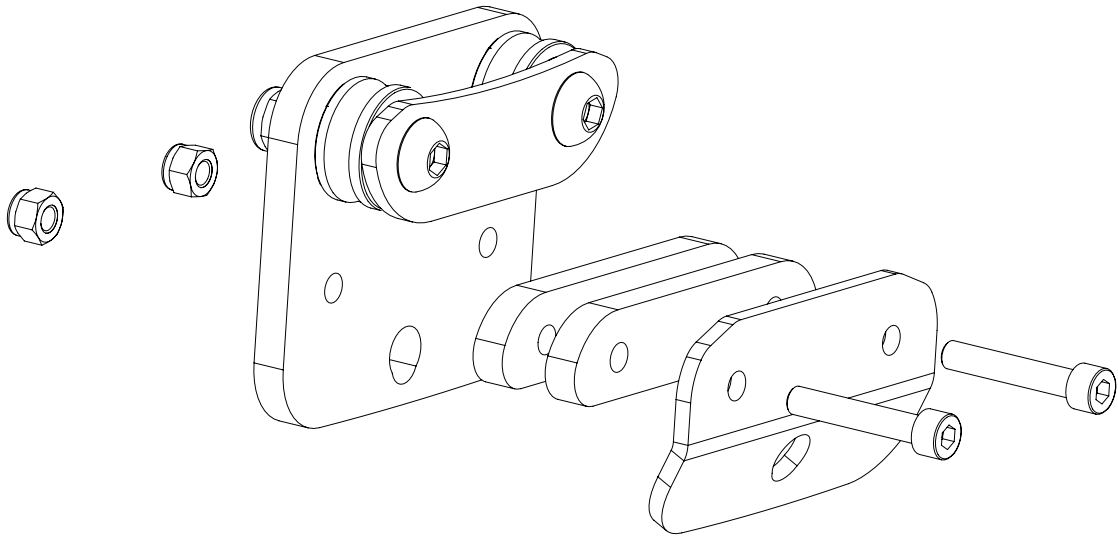
0,84 kg

Min. Breaking Load

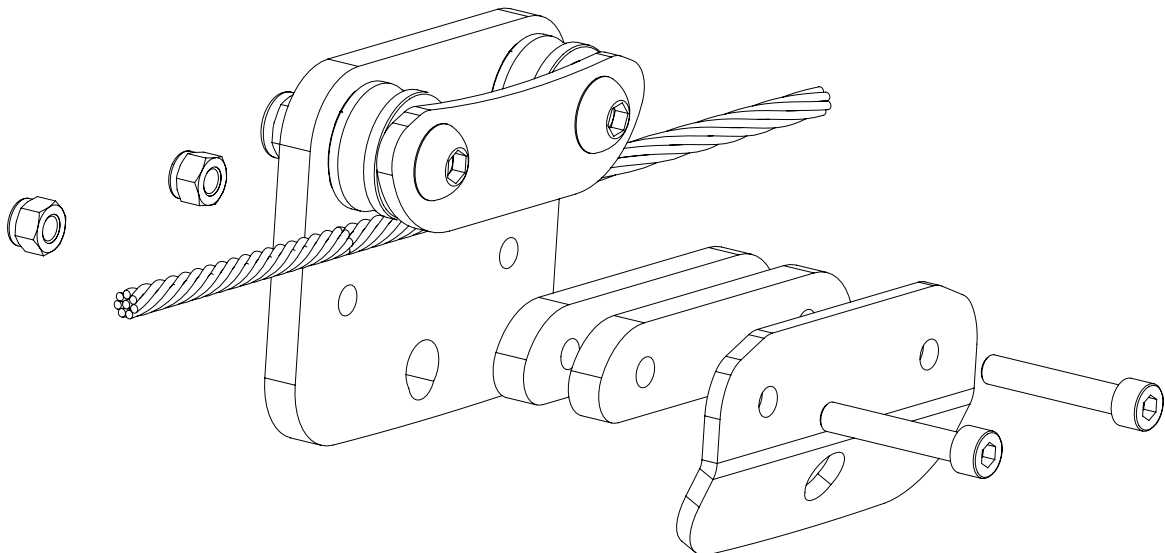
30 kN

Material

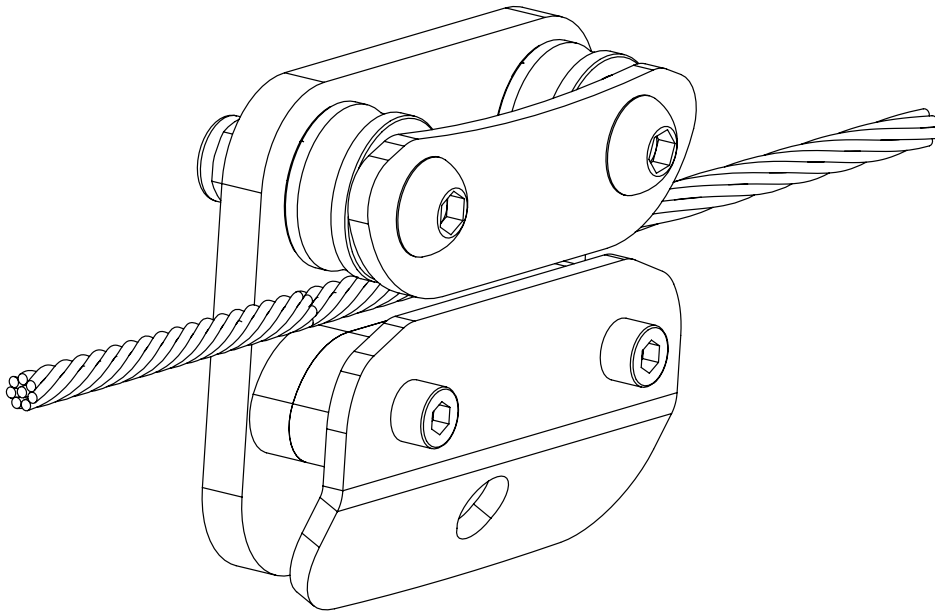
AISI 304



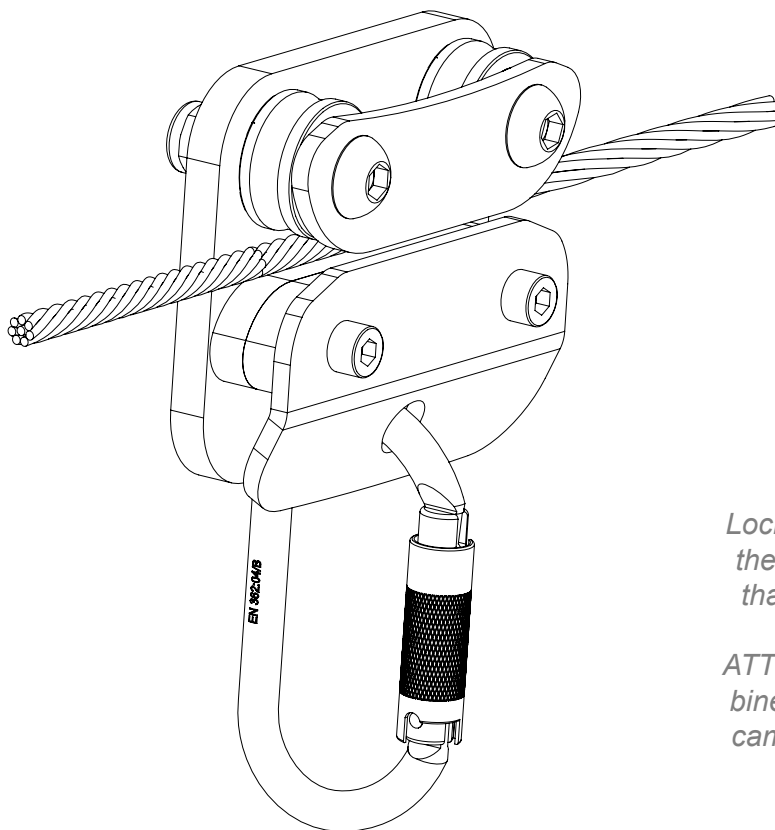
Remove the lower brackets of the HR-SRY-05 -SIRIUS Product.



HR-SRY-05-Sirius product is placed on steel rope.

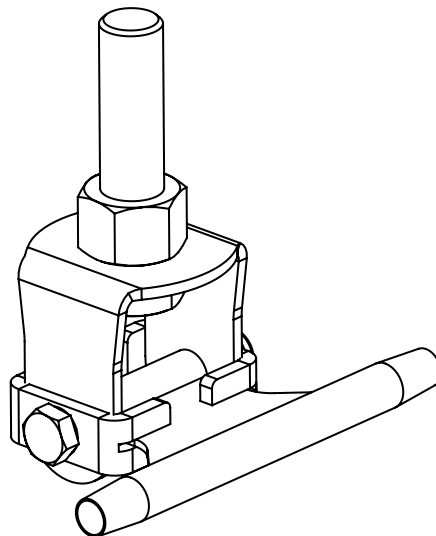


Close the HR-SRY-05-SIRIUS bottom brackets
ATTENTION! Fiber nuts must be used in the installation of XTR
Safety HR-SRY-05 product.



Lock the carriage by attaching the “XTR-CRB-02” carabiner that comes in the box of the product.

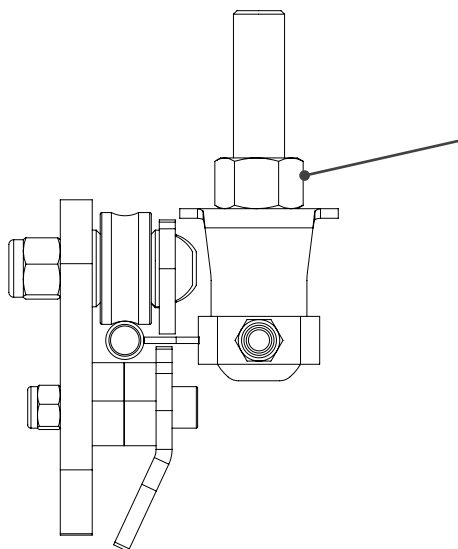
***ATTENTION!** Do not use carabiners other than the one that came in the package with the HR-SRY-05 Carrier.*



HR-INT-02



Guided Intermediate Anchor



M16 Nut must be used
as a raising element!