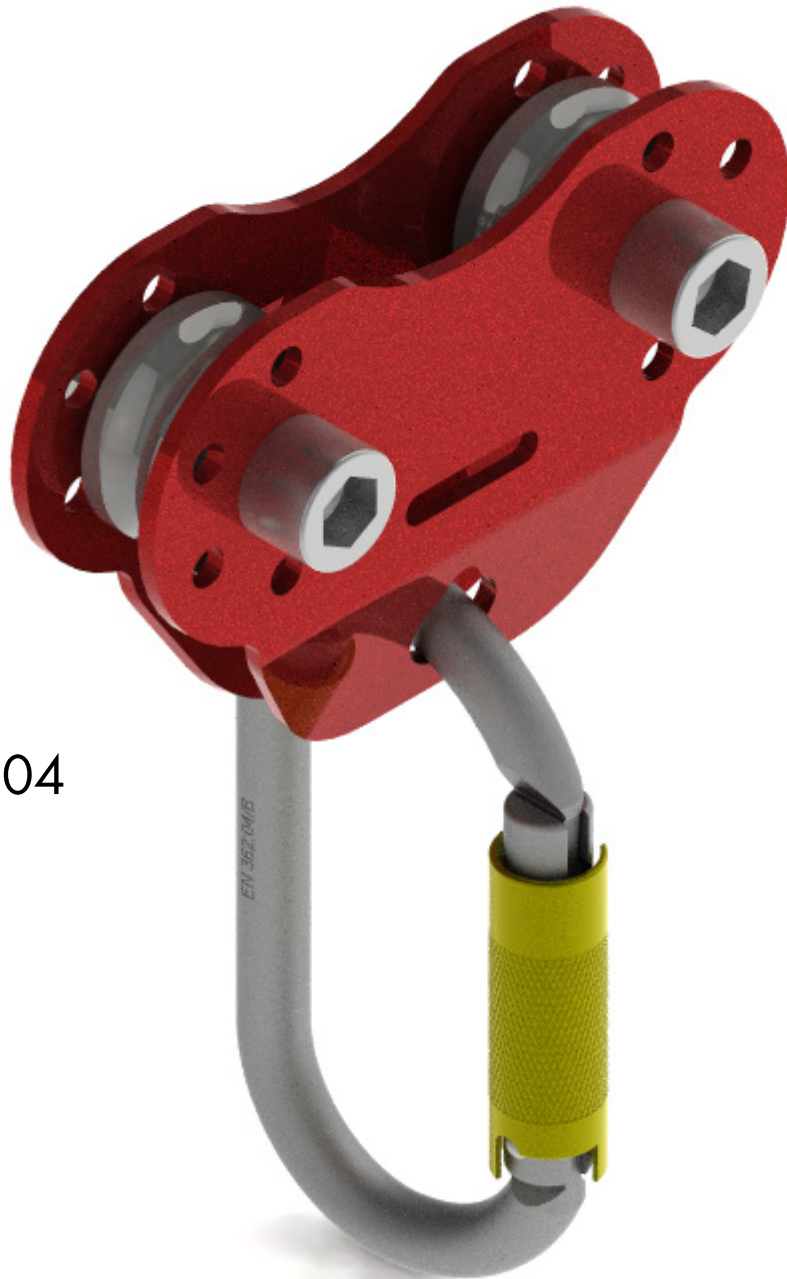


XTR

SAFETY




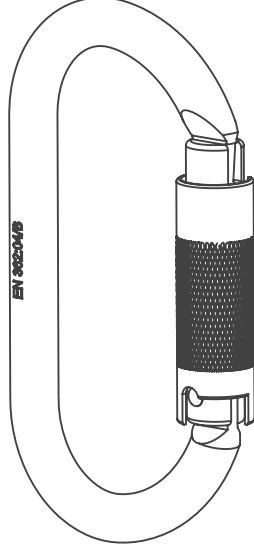
HR-SRY-04

www.nexgenconstruction.co.uk
info@nexgenconstruction.co.uk

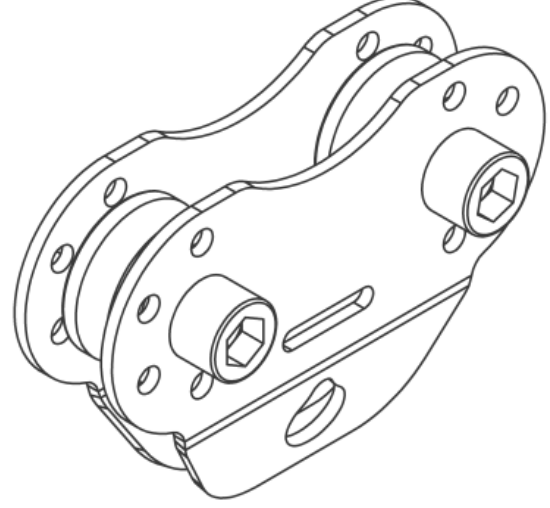
NEXGEN
Construction

Façade Access | External Cladding Systems | Fall Protection


 Includes

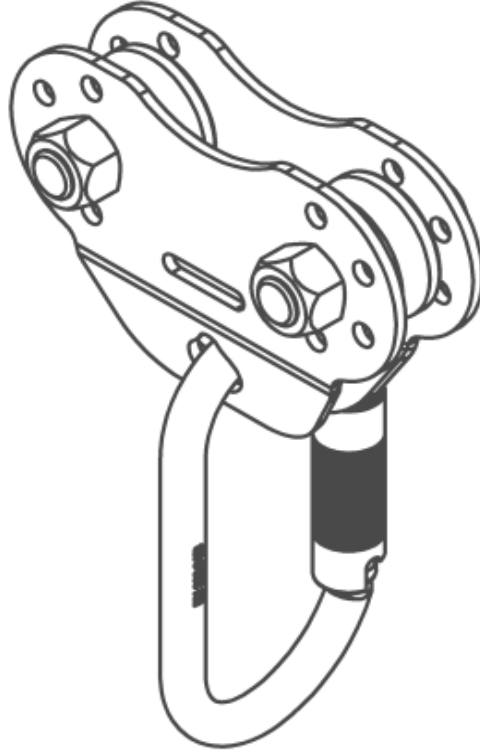


XTR-CRB-02
Triple Lock Karabina



HR-SRY-04

 Final Product



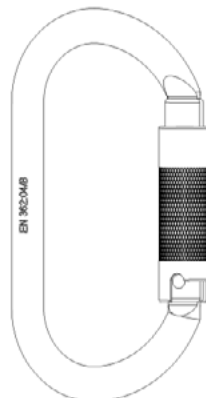
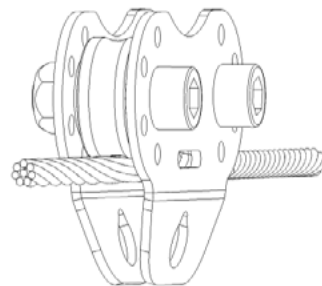
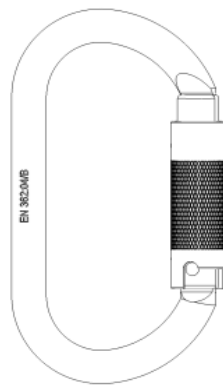
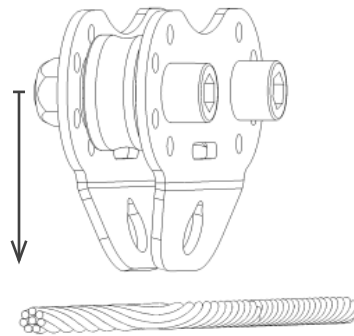
0,84 kg

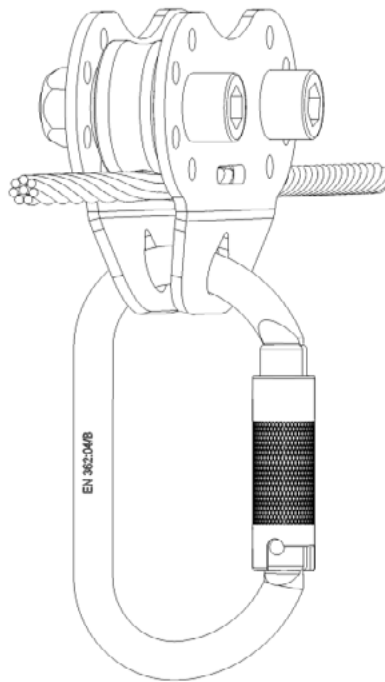
Min. Breaking Load

30 kN

Material

AISI 304





Lock the carriage by attaching the “XTR-CRB-02” carabiner that comes in the box of the product.
ATTENTION! Do not use carabiners, except the one that came in the package with the HR-SRY-04 Carrier.