

XTR
SAFETY

NEXGEN
Construction

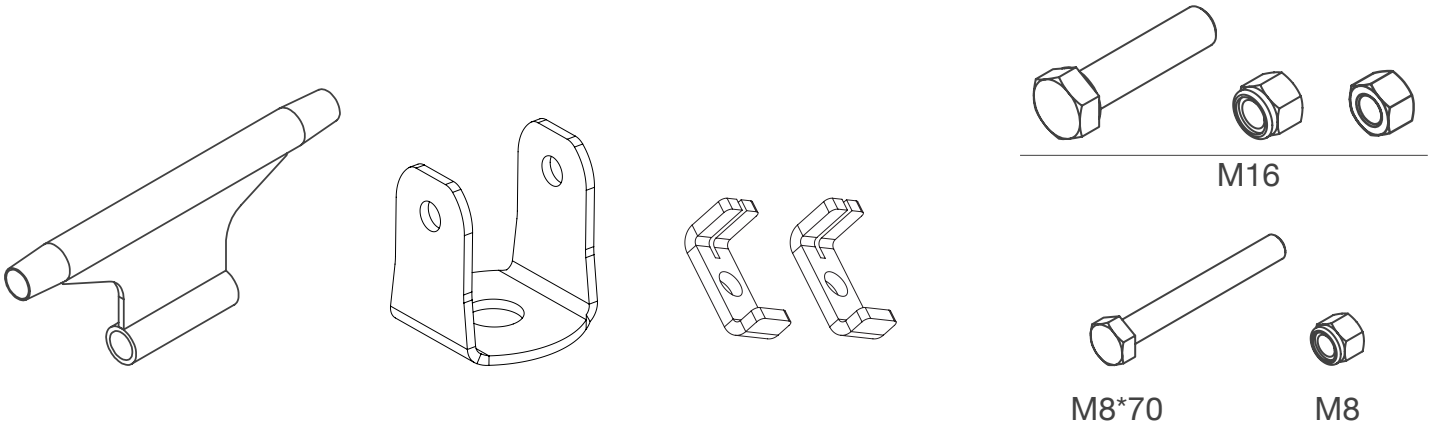
Façade Access | External Cladding Systems | Fall Protection



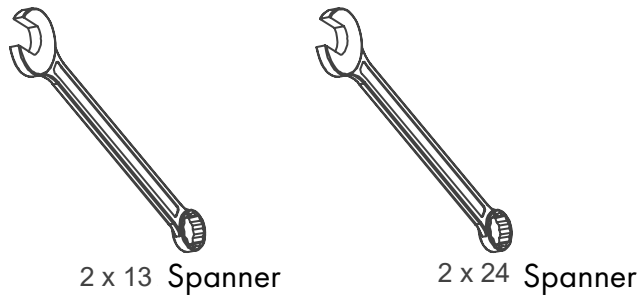
www.nexgenconstruction.co.uk
info@nexgenconstruction.co.uk


HR-INT-02
Overhead System Intermediate Anchor Element

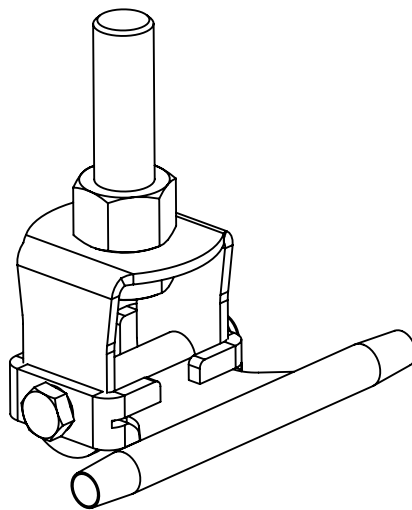
 Includes



 Installation Tools



 Final Product



0,28 kg

Min. Breaking Load

30 kN

Material

AISI 304