

**XTR**  
**SAFETY**

**NEXGEN**  
**Construction**

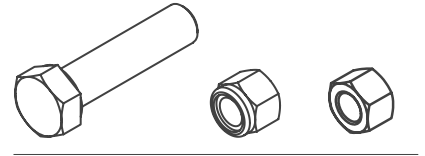
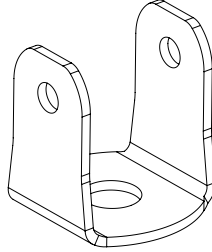
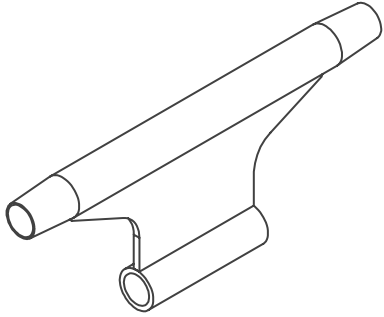
Façade Access | External Cladding Systems | Fall Protection



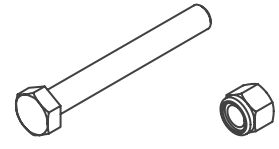
[www.nexgenconstruction.co.uk](http://www.nexgenconstruction.co.uk)  
[info@nexgenconstruction.co.uk](mailto:info@nexgenconstruction.co.uk)

HR-INT-01  
Intermediate Anchor Element

 Includes



M16



M8\*60

M8

 Installation Tools

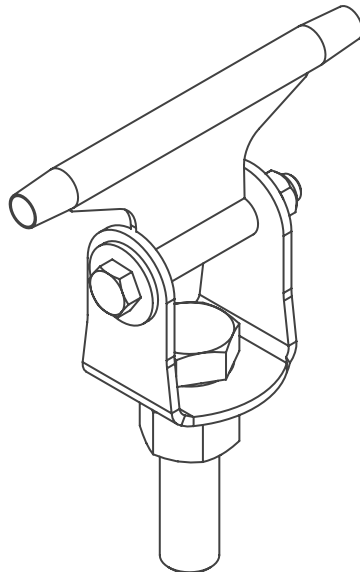


2 x 13 Spanner



2 x 24 Spanner

 Final Product



0,4 kg

Min. Breaking Load 30 kN

Material

AISI 304