

XTR
SAFETY

NEXGEN
Construction

Façade Access | External Cladding Systems | Fall Protection

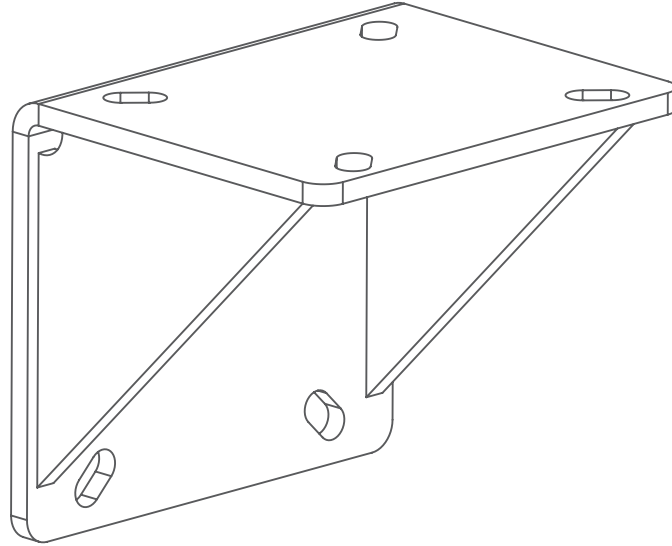


www.nexgenconstruction.co.uk
info@nexgenconstruction.co.uk

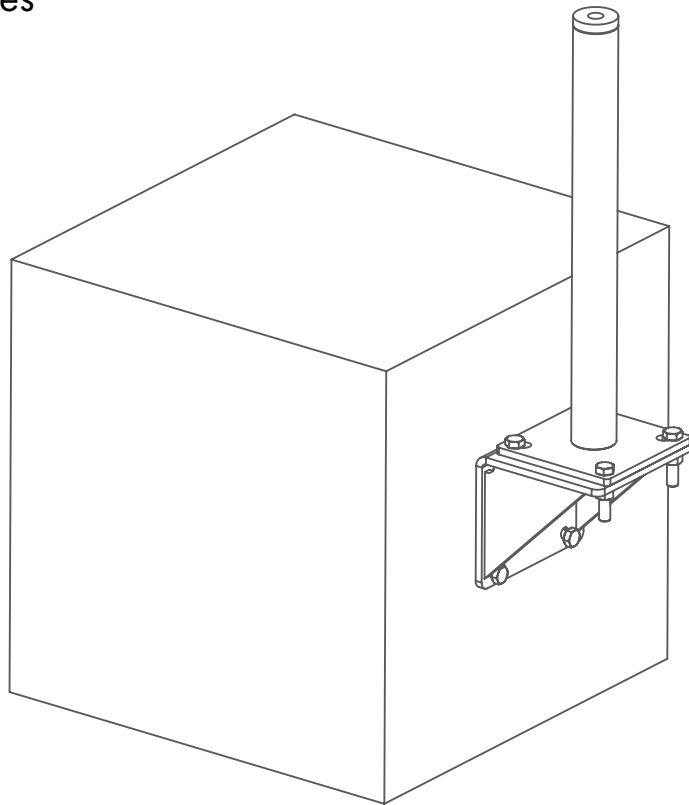
BRK-07

'Concrete Facade Fastening Bracket for POS-01 Standard Post

 Includes



 Sample Uses



1,2 kg

Min. Strength

30 kN

Material

AISI 304