

XTR
SAFETY

NEXGEN
Construction

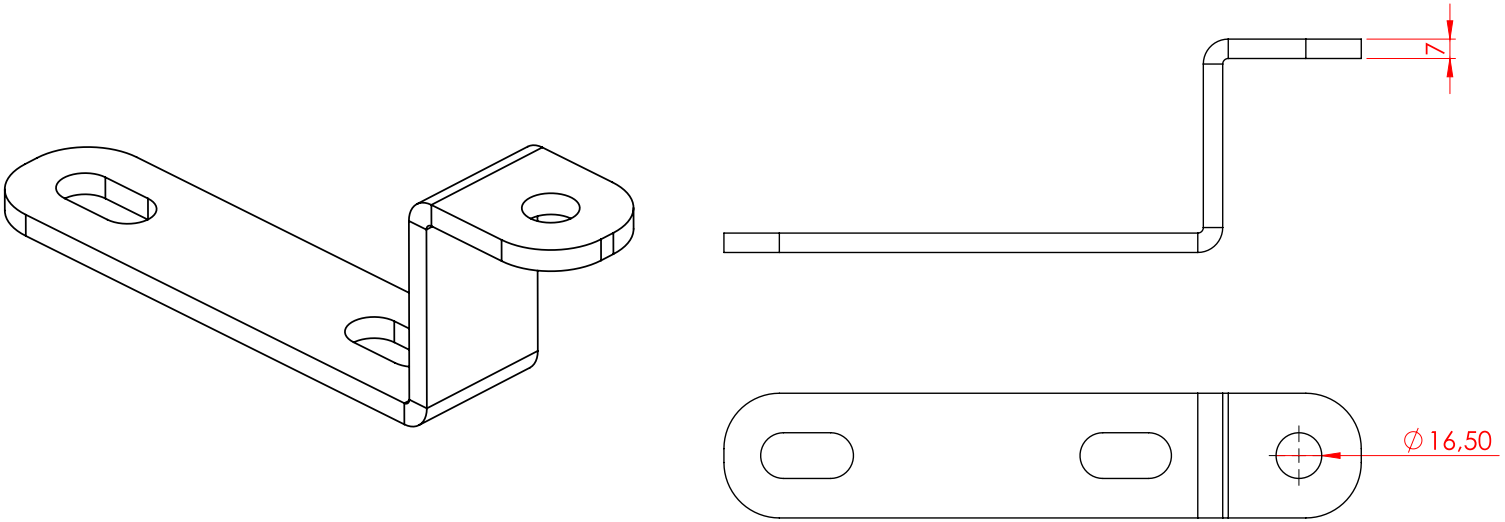
Façade Access | External Cladding Systems | Fall Protection



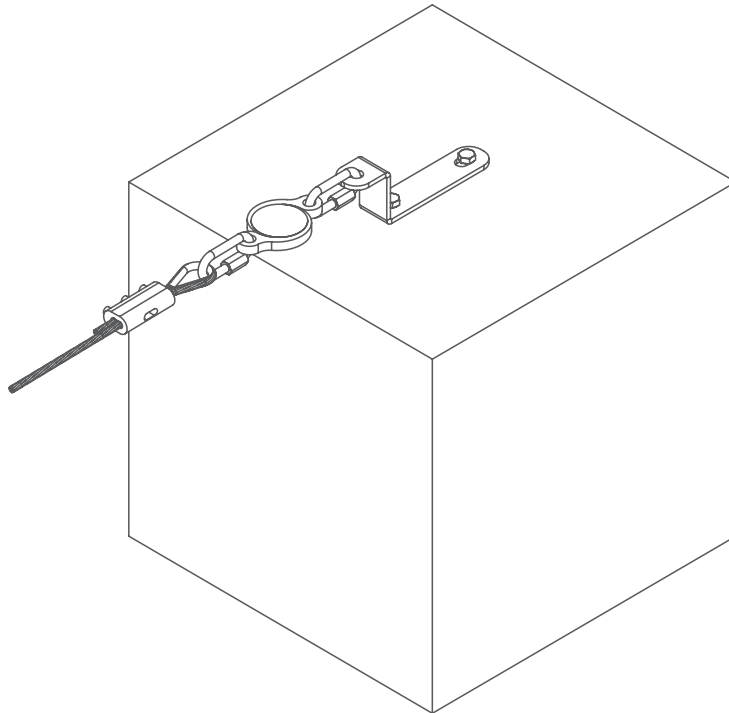
www.nexgenconstruction.co.uk
info@nexgenconstruction.co.uk

BRK-05
Concrete Substructure Leveling Bracket

 Includes



 Sample Uses



0,48 kg

Min. Strength

30 kN

Material

AISI 304