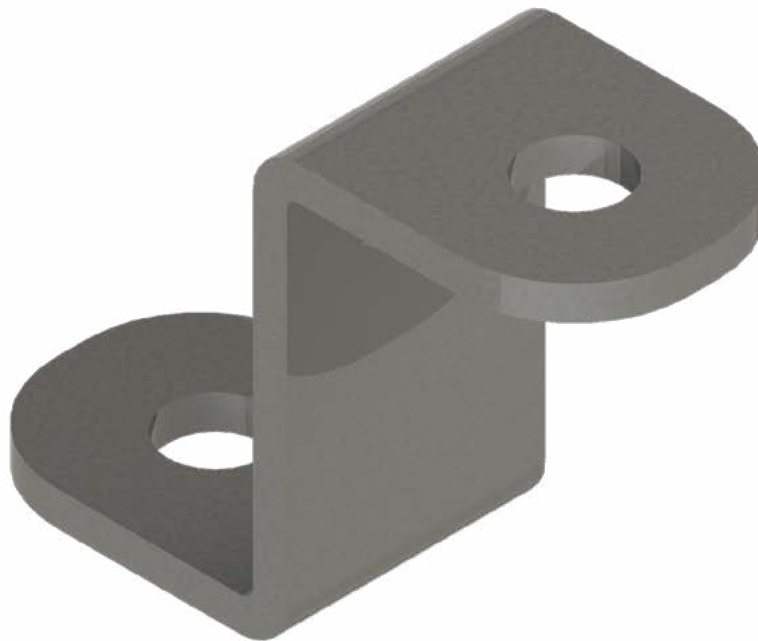


XTR
SAFETY


NEXGEN
Construction

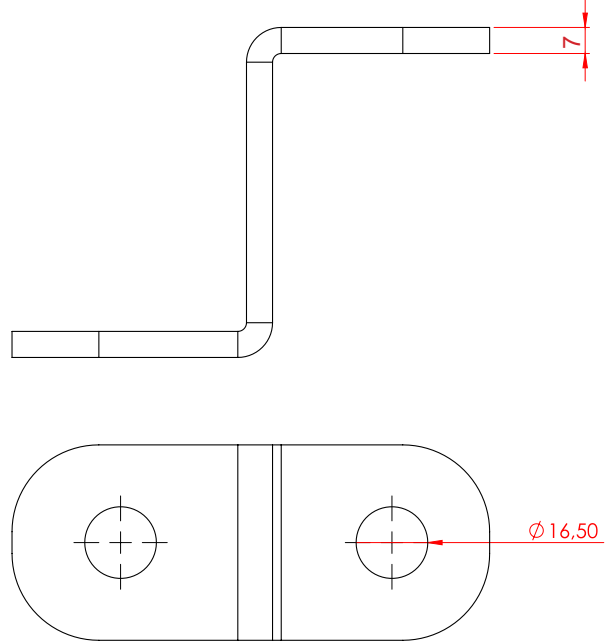
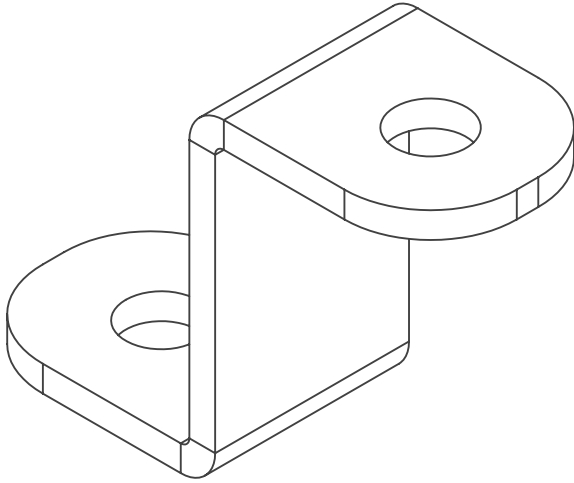
Façade Access | External Cladding Systems | Fall Protection



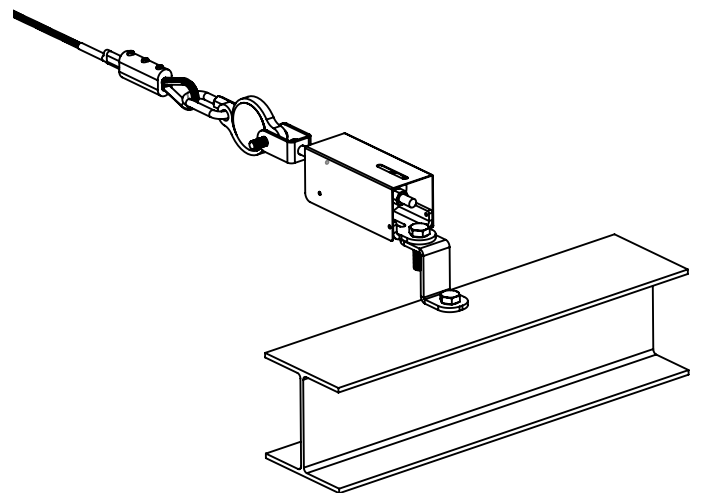
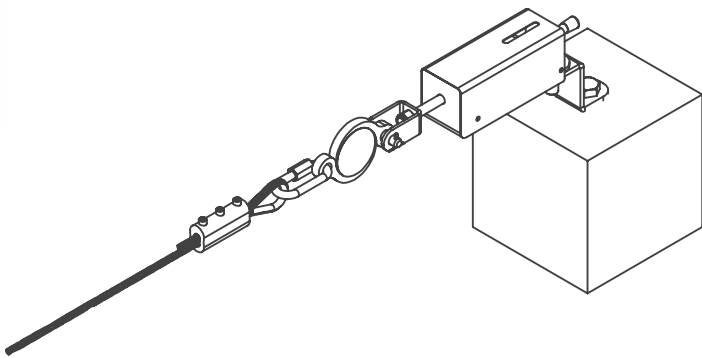
www.nexgenconstruction.co.uk
info@nexgenconstruction.co.uk

BRK-04
Steel Substructure Leveling Bracket

 Includes



 Sample Uses



0,34 kg

Min. Strength

30kN

Material

AISI 304