

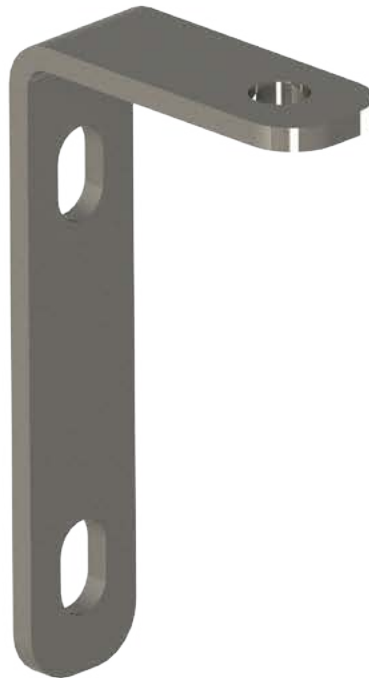
XTR

SAFETY

NEXGEN

Construction

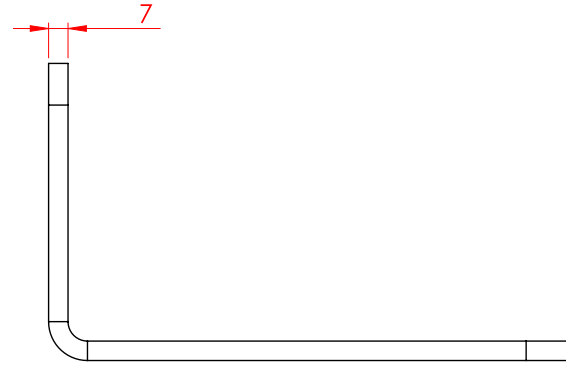
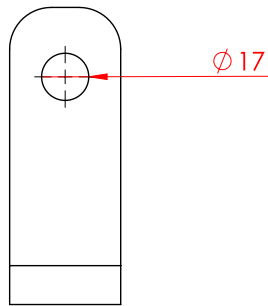
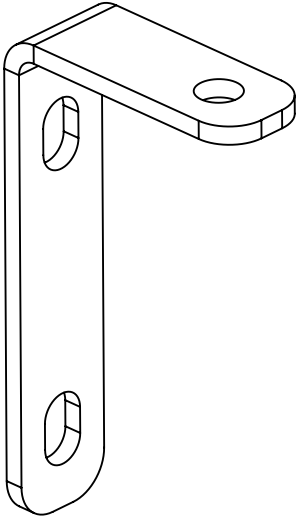
Façade Access | External Cladding Systems | Fall Protection



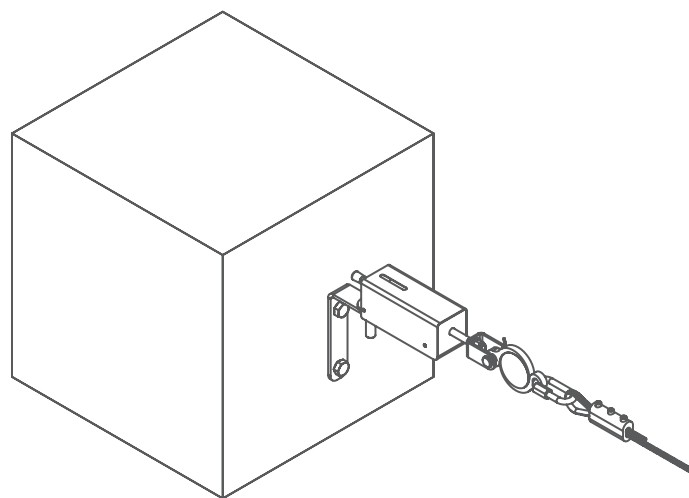
www.nexgenconstruction.co.uk
info@nexgenconstruction.co.uk

BRK-02
L Fastening Bracket - Concrete

 Includes



 Sample Uses



0,5 kg

Min. Strength 30 kN

Material

AISI 304