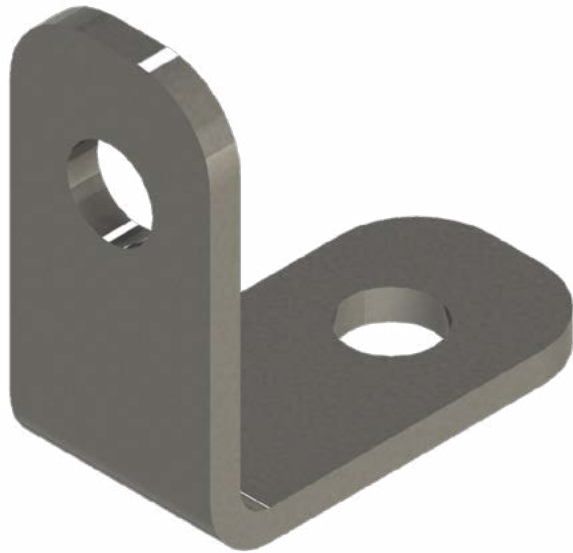


**XTR**  
**SAFETY**


**NEXGEN**  
**Construction**

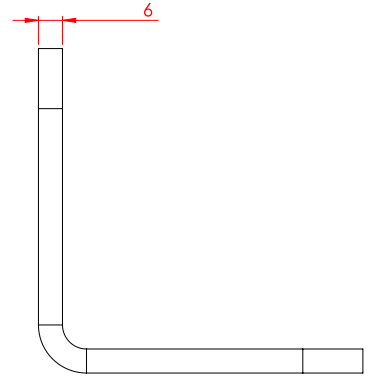
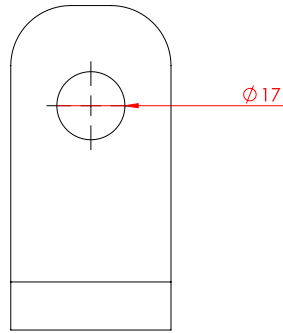
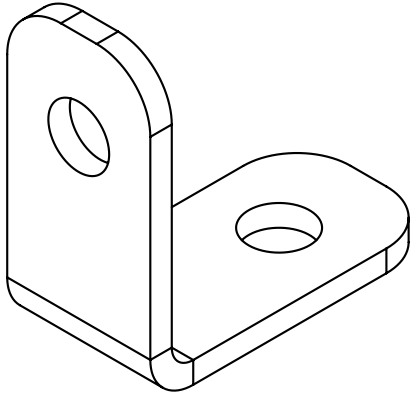
Façade Access | External Cladding Systems | Fall Protection



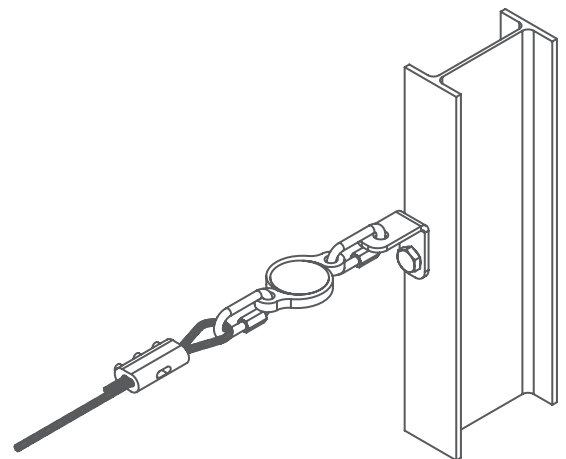
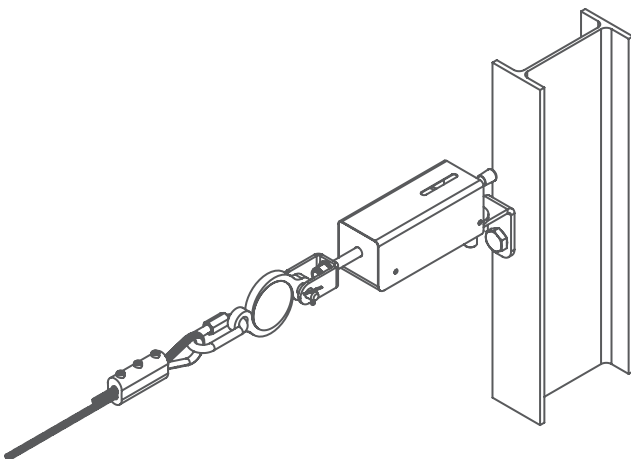
[www.nexgenconstruction.co.uk](http://www.nexgenconstruction.co.uk)  
[info@nexgenconstruction.co.uk](mailto:info@nexgenconstruction.co.uk)

BRK - 01  
L Fastening Bracket - Steel

 Includes



 Sample Uses



0,27 kg

Min. Strength

30 kN

Material

AISI 304