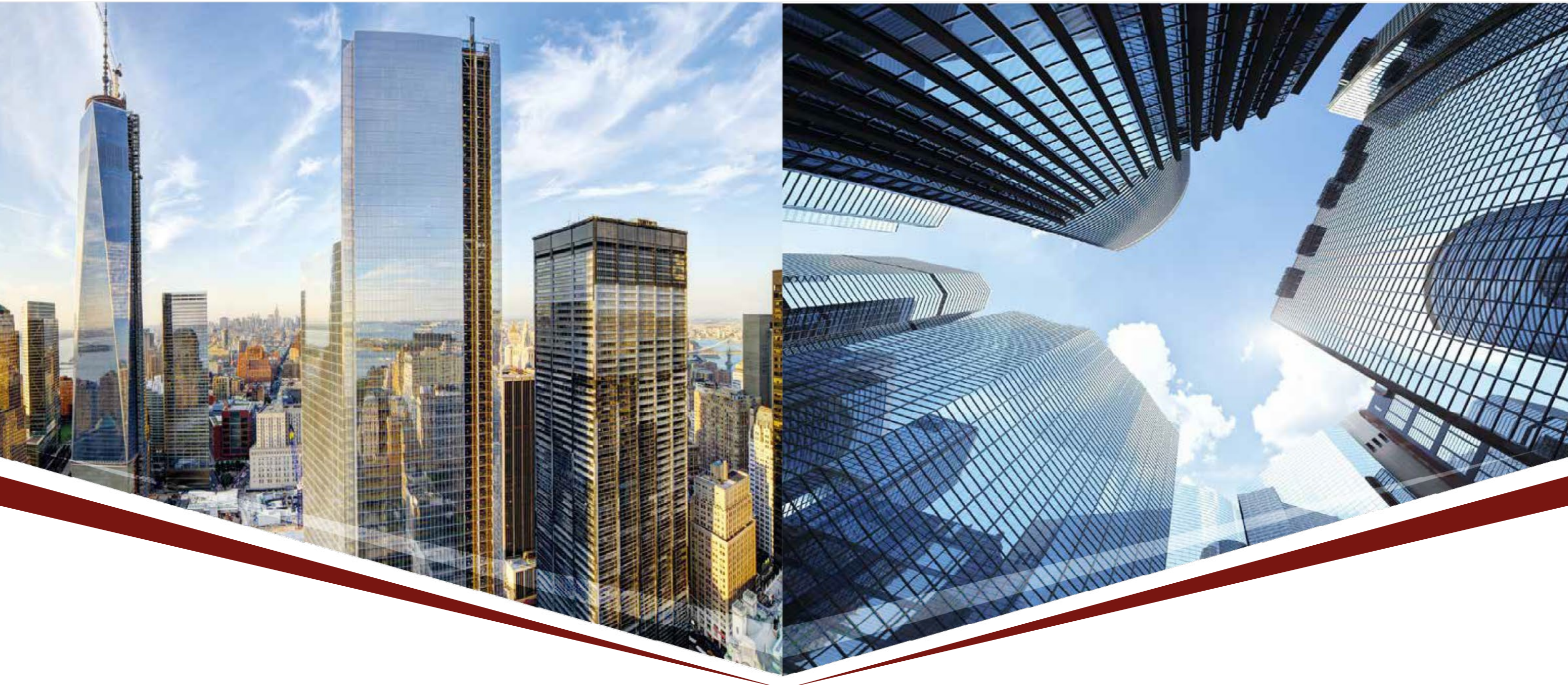


NEXGEN

Construction

Façade Access | External Cladding Systems | Fall Protection

Building Maintenance Units AST10



Nexgen Construction
Unit 1 - Shepcote Office Village
Shepcote Lane | Sheffield | S9 1TG | UK

www.nexgenconstruction.co.uk
info@nexgenconstruction.co.uk
[in](https://www.linkedin.com/company/nexgenconstruction) /Nexgenconstruction

www.nexgenconstruction.co.uk

NEXGEN
Construction
Façade Access | External Cladding Systems | Fall Protection



Nexgen are the UK exclusive agents for
Ademsan Machinery

Production Areas

- Building Maintenance Units
- Façade Cleaning Machines
- Electrical Suspended Scaffolding
- Special Design/ Custom-Made
- Rebar Cutting Machines
- Rebar Bending Machines
- Resistance Bending Machines

Our company, Ademsan Machinery, is one of the leading suppliers of Building Maintenance Units (BMU), light construction machinery and equipment. Our production and support services departments are based in Istanbul, Turkey.

Together with 20 distributors in Turkey and 15 overseas (Europe, Asia & MENA regions), we manufacture our products primarily for the construction industry.

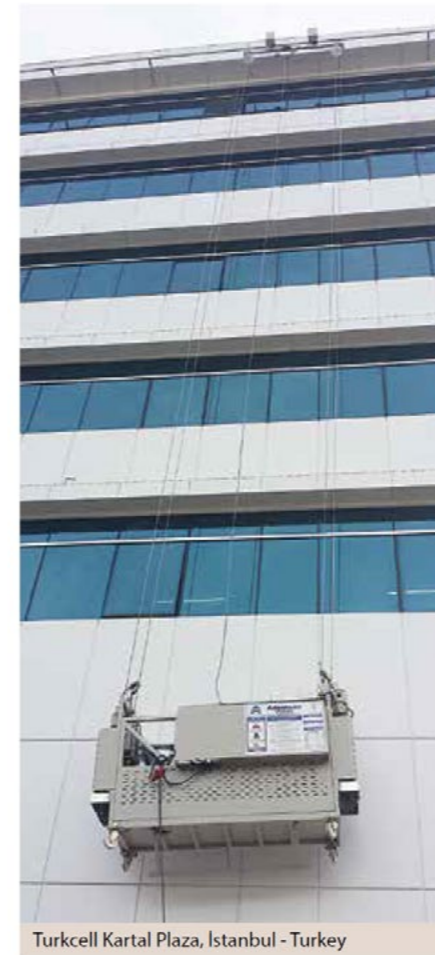
Our carefully selected workforce has decades of combined experience to bring project design, manufacturing, installation, maintenance, and technical support services for Building Maintenance Units, Special Design Platforms and Rebar Cutting and Rebar Bending Machines.

Both standard and custom-designed platforms are manufactured.

Our products undergo rigorous quality checks at all stages of production.

AST-10

Series two-person hoisted working platform



Turkcell Kartal Plaza, Istanbul - Turkey



Esenler Hospital, Istanbul - Turkey

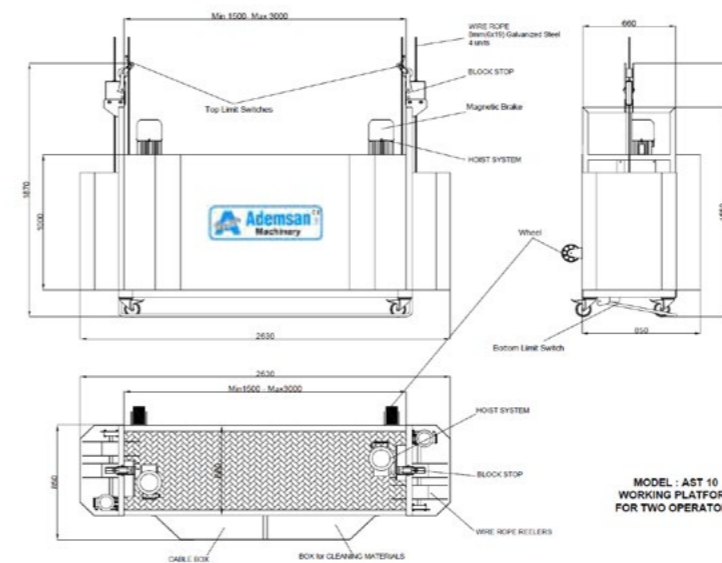


Tüze Tower, Bursa - Turkey



Black Sea Trade Center, Batum

- Two-Person double hoisted platform.
- Used together with counterweight, Davit Arm, monorail and other terrace systems.
- Double hoisted and double wire rope reeled platform.
- Dimensions of 200cm x 60cm x 100cm used within all general purpose works.
- 2 carrying wire ropes and 2 security wire ropes are available.
- 240kg load capacity (custom-made and, upon request, load capacity can vary).
- Security wire ropes and safety locks allow a safe working environment.
- Overload sensor, lower collision bar, upper and lower limit switches prevent operator errors.
- Manufacturing and assembly is in accordance with EN 1808 standards and norms.



MODEL - AST 10
WORKING PLATFORM
FOR TWO OPERATORS

FEATURES	
Used with	AST 15, AST 20, AST 25, AST 30, AST 35 systems
Power	3 kW
Wire rope	4 Pieces 8 mm Wire Rope
Voltage	380 V
Control	Cable
Vertical Movement	7 m /min 2 Units 2,2 kw
Horizontal Movement	Manual & Hoisted
Platform Weight	300 kg ... (differs in accordance with building height)
Working Capacity	240 Kg