

XTR
SAFETY

NEXGEN
Construction

Façade Access | External Cladding Systems | Fall Protection



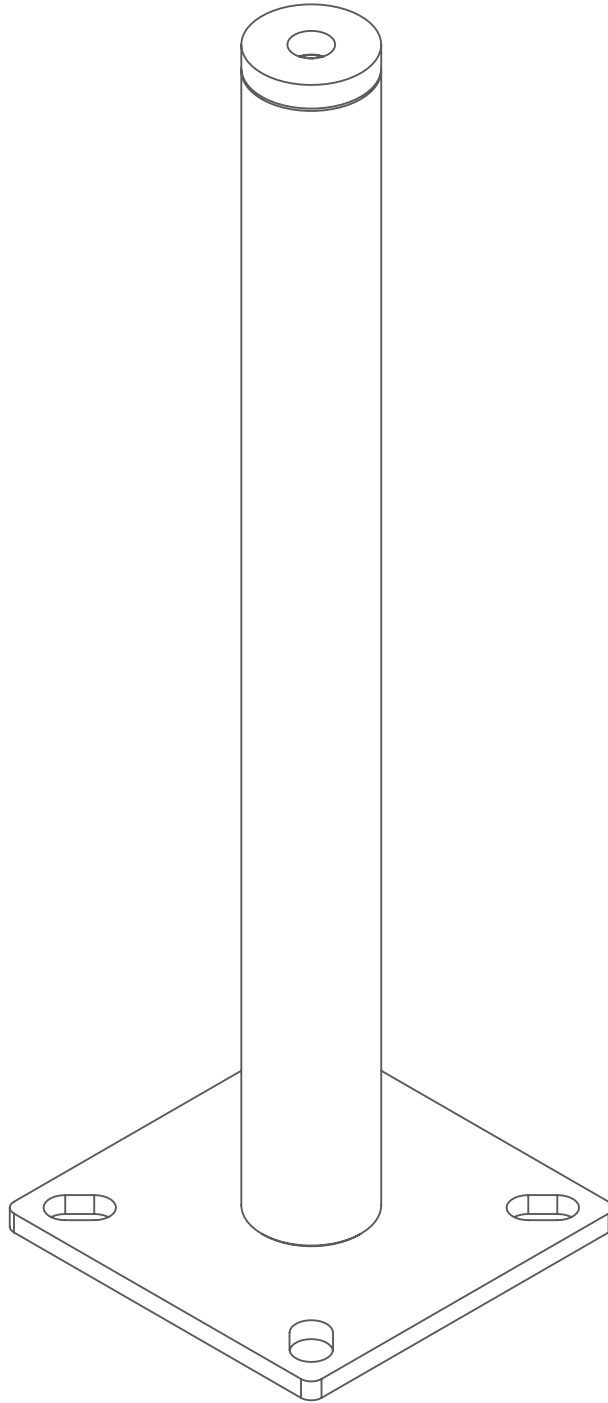
www.nexgenconstruction.co.uk
info@nexgenconstruction.co.uk

ANC-POS-01

STANDART POST



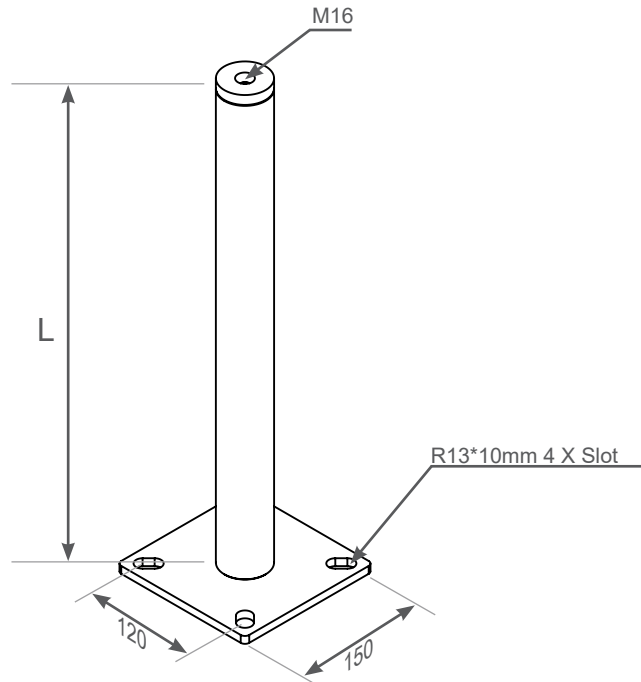
Includes



3,3 kg (50 cm)

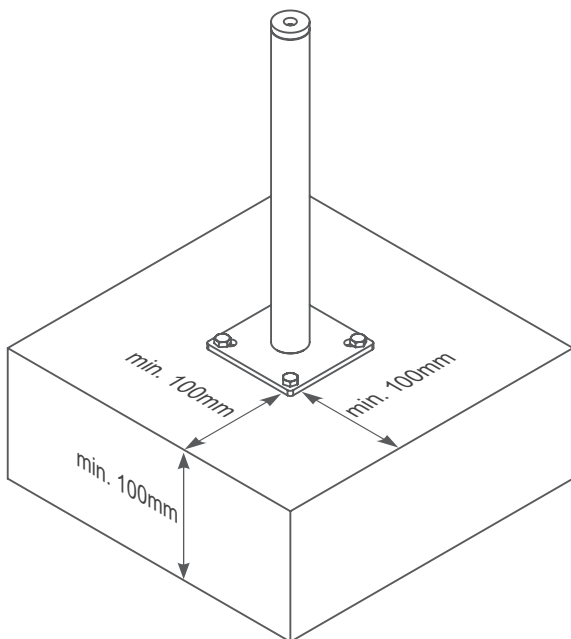
Min. Breaking Load 30 kN

Material: Galvanized Steel



L = 300mm, 400mm, 500mm, 600mm

Application on Concrete Floor



Only Install on a static load-bearing construction concrete (solid concrete) with a concrete quality of at least C20/25



DO NOT install on screed, levelling concrete etc...

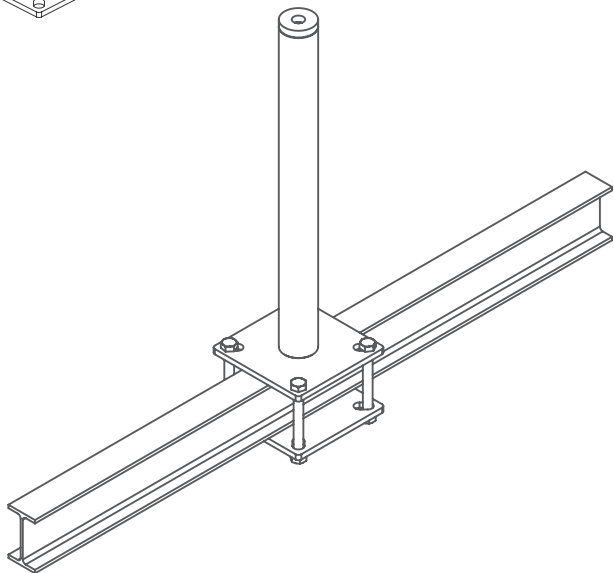
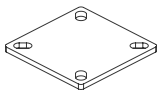
DO NOT Install If there is no technical information about installation substructure.



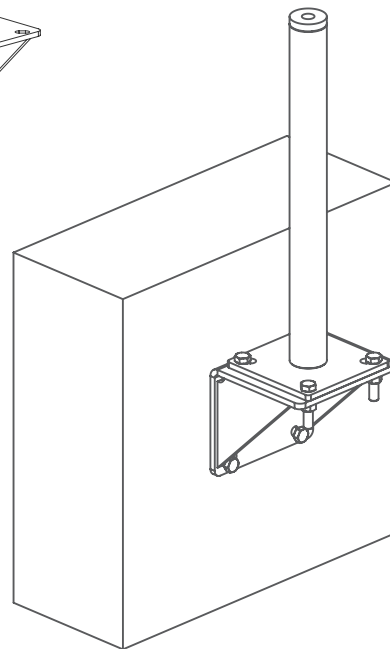
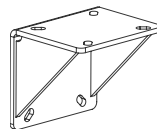
XTR Safety recommends FISCHER Resin capsule RM II for direct installations on solid concrete.



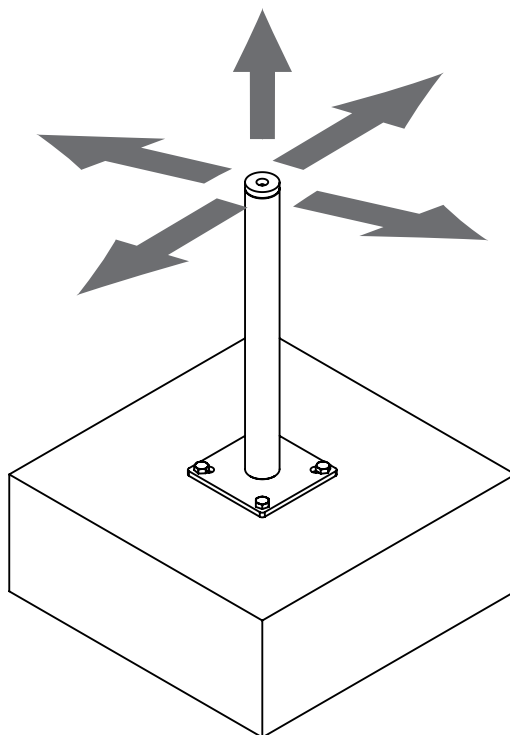
Usage with BRK-06



Usage with BRK-07



Load Directions



ANC-POS-01 Standard Bollards have been tested for the directions of force shown above. It is also suitable for use in overhead systems.



ANC-POS-01 ANKRAJ BABASI

Anchoring element that can be used on concrete, steel and wooden surfaces.

EN795:2012 ve CEN TS 16415:2013 Type A - 4 Person

TECHNICAL DETAILS

ANC-POS-01 Anchoring element has been tested in accordance with EN795: 2012 and CEN TS 16415: 2013 Type A standards.

- It can be used as an anchorage element in horizontal lifeline systems with EN795 Type C Certificate produced by XTR Safety.
- Can be used by up to 4 users at the same time.
- It can work in 4 directions horizontally and vertically in the direction of the pipe axis. It can be mounted on angled surfaces.
- Can be mounted on steel, concrete or wooden surfaces. The mounted surface must have a minimum breakage value of at least 22 kN.
- ANC-POS-01 anchorage element starts to flex when more than 200 kg is applied on it.
- ANC-POS-01 anchorage element cannot be used as an anchor point for rope access and rescue purposes alone.

WARNINGS

The XTR Safety Anchor Element User Manual must be read in detail before assembly and each use, and the warnings contained therein must be strictly followed!

The information in this manual cannot be changed and added / removed without the written permission of XTR Safety. Any changes can cause serious injury.

VISUAL CHECKS BEFORE EACH USE

Before each use, a visual check should be made on the anchor element and related system parts, which are detailed below.

- It should be checked that the connection bolts and nuts are not loosened in any way.
- It should be observed that there is no corrosion, oil and dirt in the system components that would hinder the use.
- It should be checked that there is no wear and tear in the system components that will prevent use.
- It should be observed that the ground (steel, concrete, etc.) on which anchors are applied maintains its integrity and that there are no cracks or tears.

If any of the above-mentioned situations are observed, the fall arrest system / element should not be used, the situation should be reported and the authorized technical service should be called.

SAFETY INSTRUCTIONS

XTR Safety fall arrest systems must be used in accordance with the following safety instructions. Fall arrest systems should never be used out of purpose.

- Fall arrest systems can only be used by those who have completed the trainings specified in the relevant legislation.
- Never use fall arrest systems for carrying loads! Fall arrest systems have been developed for personal safety. Hanging, tying and using any load other than this purpose can be life-threatening.
- Check the assembly delivery report for the maximum number of people who can use the fall arrest system at the same time. This information is also available on the labels on the system.
- Fall arrest systems should only be installed by trained and experienced personnel authorized by the manufacturer.
- An emergency response plan covering all possible rescue situations should be available during the work.
- Before starting work, necessary precautions should be taken to prevent any objects falling from the workplace. A safety area should be created under the working area.
- In order that the load that may occur during a fall does not exceed 6kN, it should be connected to the system with appropriate personal protective equipment recommended by XTR Safety. No other material should be used.
- In case of a fall, the system should never be used, the authorized service should be called.
- Exposure of system components to an acidic or corrosive material must be prevented. In a possible case, information should be obtained from the authorized technical service.
- Anchor elements should not be modified or altered in any way without the written permission of the manufacturer.
- Contact of stainless steel system elements with an abrasive material may cause corrosion. Therefore, system components should be kept away from abrasive and corrosive materials.
- In case of any doubt about the safe operation of the attachment system, the system should be removed from use and the authorized service should be called.
- Products must be packaged so that they will not be damaged during transportation.
- The product life is 25 years, provided that periodic maintenance is carried out regularly.
- This product user guide in the language of the country concerned is to be used outside of Turkey must be prepared.

Before each use, the fall zone under the system should be checked and make sure that there is a safe fall distance. The safe fall distance is calculated by the following method:

Güvenli Mesafe = L + F + H + 1m	
L	Şok emicinin açılmış haldeki uzunluğu dahil kullanılan toplam lanyard uzunluğu
F	Sistem esneme mesafesi
H	Kişinin boyu
1m	Emniyet Payı

- Health status can adversely affect safe working at height. Before starting to work at heights, health control should be passed and relevant reports should be obtained.
- Children and pregnant women should not use the fall arrest system.
- Shock absorbers used in fall arrest systems deform during a fall and absorb the shock, this is normal. After each fall, the system should be inspected by the technical service and the shock absorbers or anchors replaced as necessary.
- XTR Safety is not responsible for problems caused by user errors.

COMPATIBLE HARDWARE

ANC-POS-01 Anchor Element can be used in the following ways by mounting single point anchor lugs or intermediate anchor element with EN795: 2012 and CEN TS 16415: 2013 certificates.

- It can be used as a Single Point anchor by mounting a suitable Type A product on it.
- It can be used as a termination, corner and intermediate anchorage element in the horizontal lifeline.
- It can be used as corner and intermediate anchorage element in limiting / leash systems.
- It can be used as a secondary (backup) connection point in rope access and rescue operations.
- It can be used as an anchor point for positioning purposes.

ANC-POS-01 Anchor can be connected only with personal protective equipment approved by XTR Safety and having the following standards.

- EN361: Full body seat belts
- EN362: Lockable carabiners
- EN354: Connection lanyards
- EN355: Shock absorbers on the lanyard
- EN360: Rewind fall arresters
- The user manuals of the personal protective equipment used should be examined in detail and used accordingly.
- If different brands and models of personal protective equipment are used together, it should be ensured that

they work in harmony with each other and that this situation is found appropriate by the manufacturers.

- ATTENTION: In horizontal use, in order to eliminate the risk on sharp corners, personal protective equipment that has been tested by the manufacturer for sharp corners must be used.
- XTR Safety is not responsible for problems caused by the use of improper personal protective equipment.

XTR SAFETY PRODUCTS THAT CAN BE USED TOGETHER

ANC-POS-01 Anchor Bolt can be used with the following products:

- SNG-01-1P - Single Point Anchor (for 1 person use!)
- SNG-01-4P - Single Point Anchor (for 4 person use)
- SNG-02-30 - Single Point Anchor (for 4 person use)
- SNG-03 - Single Point Anchor (for 4 person use)
- HR-INT-01 - Life Line Intermediate Anchor Element
- HR-CRV-01-90 - Horizontal Lifeline Bend Element - 90 Degrees
- HR-CRV-01-XX - Horizontal Lifeline Bend Element - 0-45 Degrees
- HR-TENS-01 - Horizontal Lifeline Tensioner
- BRK Series Brackets

INSTALLATION SAFETY INSTRUCTIONS

ANC-POS-01 Anchor Element should be mounted at the points deemed appropriate by the manufacturer, by considering the following issues.

- The ground on which the anchor will be mounted should be selected to have the strength to meet the loads that may occur. When necessary, assistance should be obtained from a static expert on the subject. If it is to be installed on concrete, the concrete quality should be C20 / 25 or higher. 4 M12 bolt / nut connections should be used for mounting on the steel surface.
- All bolt and nut connections should be torqued to the required values.
- It can be mounted on the steel surface by welding method. Before welding, the galvanized coating should be scraped off and then the necessary insulation should be made again. The weld seam should be along the bottom plate and cover all four edges.
- In case of mounting on a non-standard or uninformed surface, a tensile test should be performed before placing the anchor.

- Fall arrest systems should be planned in such a way that they do not fall from the edge according to the personal protective equipment to be used by the staff. Design should be made in such a way that the pendulum effect (swing) is eliminated.
- During assembly, stainless bolts / nuts should be installed using a mounting paste.
- Make sure that labels and warnings on the product are complete and legible after assembly.
- Installation date and future inspection date should be clearly visible on the product periodic inspection form.
- All anchors must only be installed by installers authorized by XTR Safety.
- After the assembly, the "Assembly Delivery Report" should be prepared and delivered to the facility. This record must be kept by the company.

INSPECTION

All fall arrest systems must be inspected periodically after installation. Although it depends on the usage intensity of the systems, these controls should be done and documented at least once a year.

- After the installation of fall arrest systems, the system owner is responsible for ensuring that the system is in perfect condition. In order to ensure this situation, periodic control service should be obtained from the authorized service. The enterprise has to have the fall arrest systems inspected at least once a year, depending on the intensity of use. Periodic control period may be shortened in enterprises with high usage intensity. You can get information from the installation team on the subject.
- Periodic inspection should only be carried out by teams authorized by XTR Safety.
- After each periodic inspection, "Periodic Inspection Report" is filled and delivered by the service. This report must be kept by the company until the next inspection.
- After the periodic inspection, the date of the next inspection should be written.
- Systems that are not periodically inspected on time are out of warranty.
- In case of a drop in the system, the authorized service must be called immediately without waiting for the periodic inspection date. Systems that are not approved again by the service should never be used.

WARRANTY

- Under normal conditions of use, XTR Safety Fall Stop Systems have a 25-year warranty against manufacturing defects. If the system or system elements are installed under corrosive and corrosive conditions, superficial corrosion may be seen on the system components used. In order to minimize this situation, it is necessary to increase the frequency of periodic examinations.
- The warranty does not cover corrosion formation.

- Systems that are not installed by expert teams authorized by XTR Safety are not covered by the warranty.
- Systems that are not periodically inspected on time are out of warranty.
- During a fall, some of the system components may be deformed to reduce the impact of the fall (shock absorbers opening, system components flexing, warping, etc.). The deformations that will occur in this case are not covered by the warranty. All parts deformed after the fall must be replaced by the authorized service.
- The scope of warranty covers only XTR Safety branded products. Problems caused by the mounted surface and structure, externally used brackets and elements, mechanical connection products, etc. is not covered by the warranty. In this case, the responsibility belongs to the assembly company. The assembly firm is responsible for selecting the surface on which the anchor is installed so that it can meet the loads that may occur in the life lines.
- Detailed information about warranty coverage You can get it from the website www.xtrsafety.com.

PRODUCT INFORMATION CARD / LABEL

There are information labels on all XTR Safety Fall Stop Systems installed. Please pay attention to the warnings on these labels.

Information on the label:

- Product Brand
- Relevant Standards
- Warnings
- Maximum number of people to use at the same time
- User manual data matrix
- Next inspection date
- Product code
- Manufacturer contact information



ANKRAJ ELEMANI
Anchor Element

EN795:2012 Type A
CEN/TS 16415:2013



UYARI / WARNING

- Yetkili servis tarafından monte edilmelidir
Must be installed by authorized installer
- Periyodik bakımı yapılmamış ürünler kullanılmamalıdır
Products should not be used if periodical inspection is missing
- Sadece eğitimli personel tarafından kullanılmalıdır
Must be used by trained personnel
- Kullanmadan önce kullanım kılavuzunu okuyun
Read users manual before using this anchor

Yüksek İşler | +90 212 259 7205 | info@xtrsafety.com www.xtrsafety.com



APPROVED TESTING ORGANIZATION

EN795: 2012 and CEN TS 16415: 2013 tests of the product have been done and certified by BSI - British Standard Institute.

MANUFACTURER

Yüksek İşler Prod. Taah. Dan. Tic. Ltd. Şti.
+90 212 2597205
www.xtrsafety.com
www.yuksekisler.com



HARDWARE REGISTRATION

PRODUCT:

Model and type / identity:

Trade Name:

Identification Number:

Manufacturer:

Adress:

Tel, Fax, e-Mail and WEB Site:

Production Date:

Purchase Date:

Starting Date:

PERIODIC INSPECTION AND CARE HISTORY

Date	Description of Work Done / Damage Detected and Repair	Notes	Authorized Personnel and Signature	Next Inspection Date

Additional Description:

This document should be kept by the enterprise in order to maintain the warranty coverage of horizontal lifeline. It must be filled by the authorized service during each periodic check. In the event of loss, the installer should be informed. This document should be kept with the user manual and the line delivery report.