

XTR
SAFETY


NEXGEN
Construction

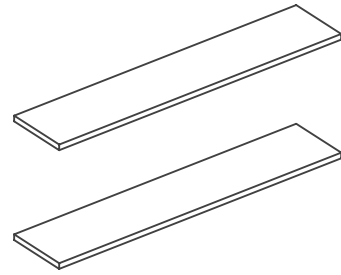
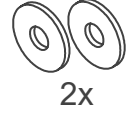
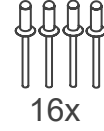
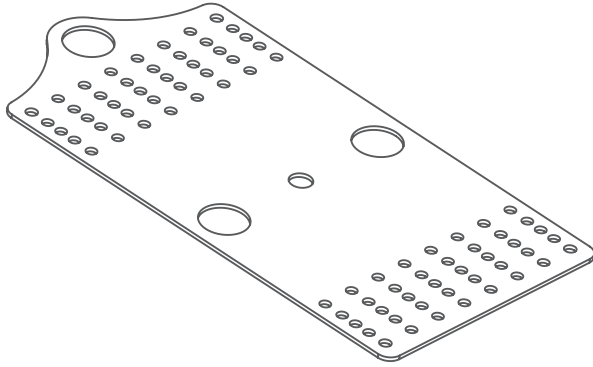
Façade Access | External Cladding Systems | Fall Protection



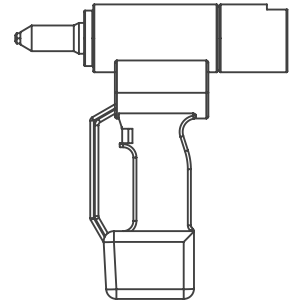
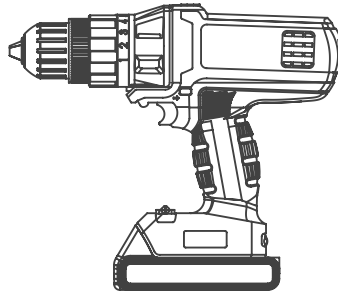
www.nexgenconstruction.co.uk
info@nexgenconstruction.co.uk

ANC-PNL-03
FLAT PANEL ANCHOR

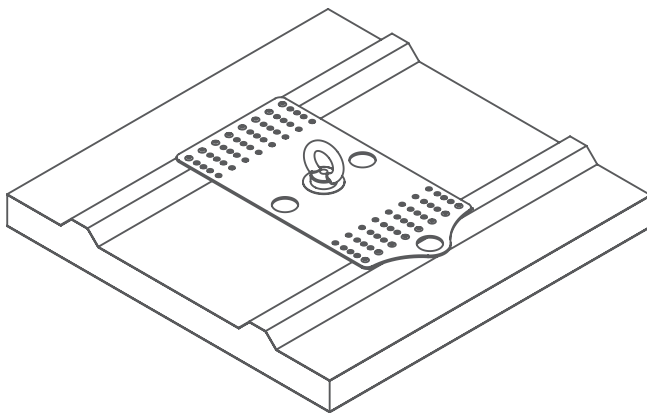
 Includes



 Installation Tools



 Final Product



 1,65 kg

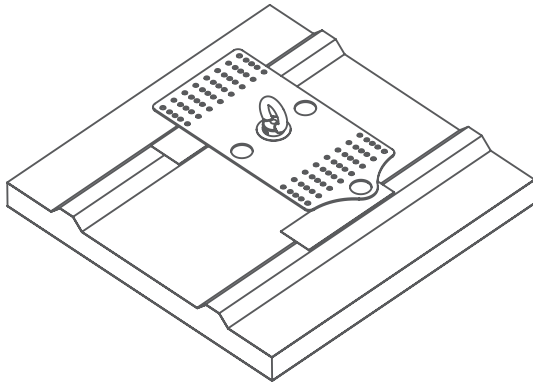
Min. Breaking Load 30 kN

Material

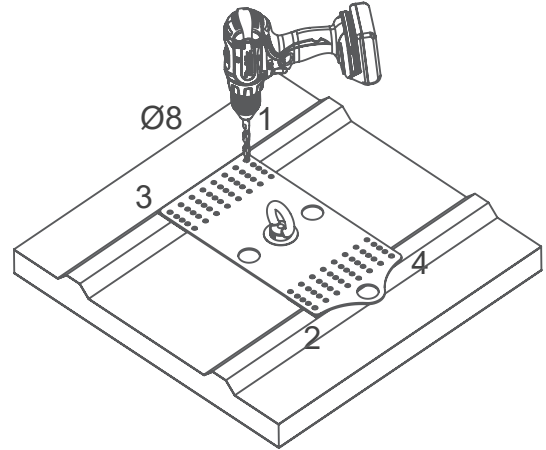
AISI 304



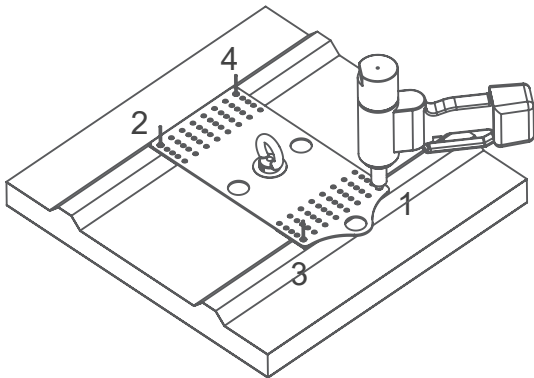
After the relevant XTR product is mounted on the ANC-PNL-03 Plate, the plate is mounted on the roof in the specified order.



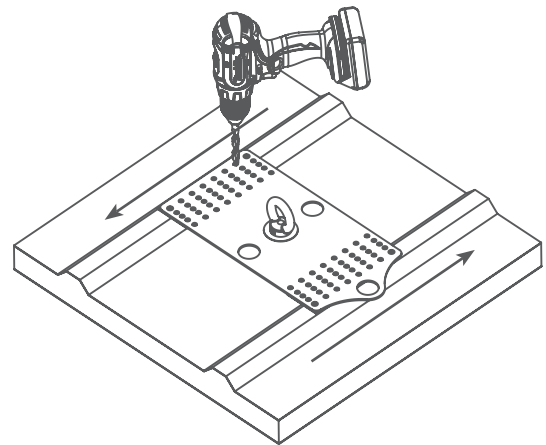
Insulating tapes and plate are aligned.



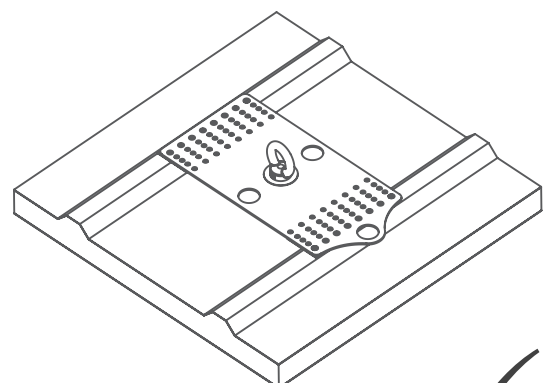
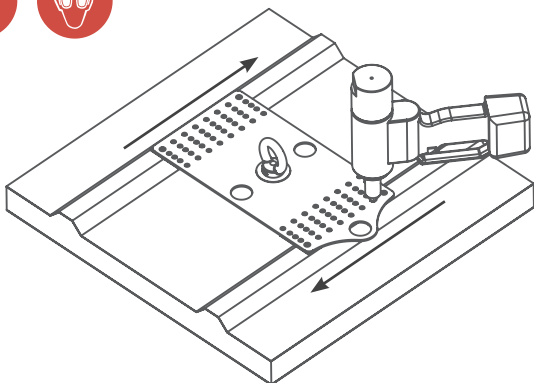
The holes in the 4 corners of the plate are drilled as a guide.



Riveting is made to the 4 corners of the plate.



The remaining holes are tapped.



The remaining holes are riveted. At least 6 holes must be riveted on both sides of the plate.

