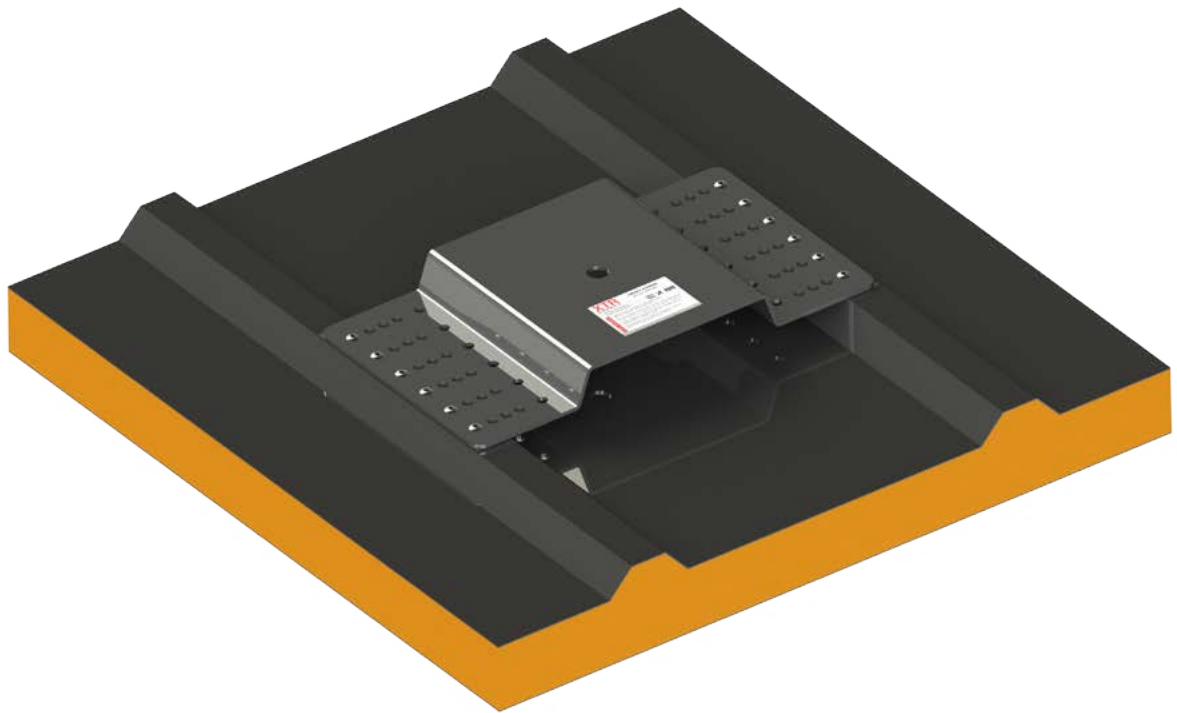


# XTR SAFETY NEXGEN Construction

Façade Access | External Cladding Systems | Fall Protection

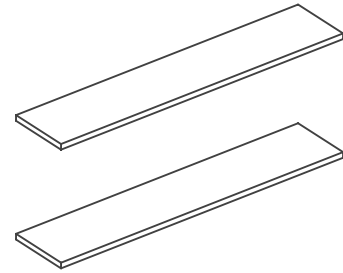
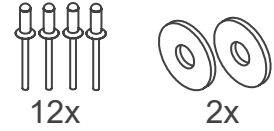
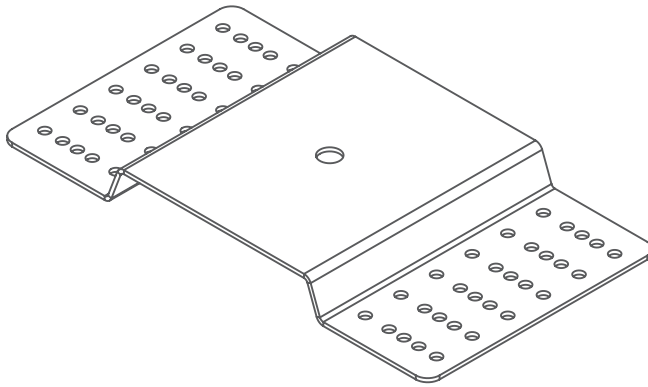


[www.nexgenconstruction.co.uk](http://www.nexgenconstruction.co.uk)  
[info@nexgenconstruction.co.uk](mailto:info@nexgenconstruction.co.uk)

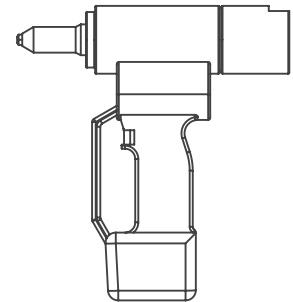
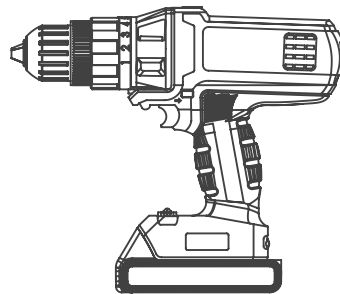
ANC-PNL-02

Intermediate Anchor Plate for Trapezoidal Sheet and Sandwich Panel

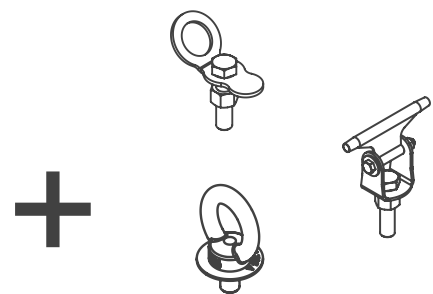
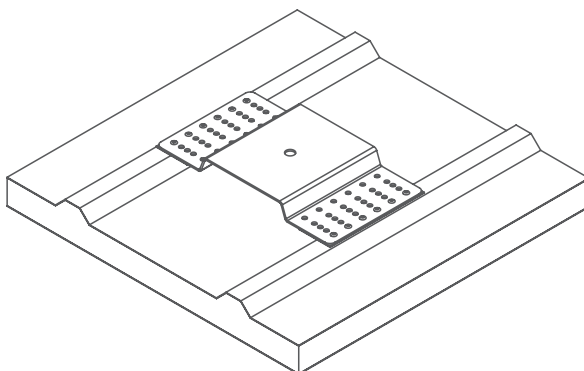
### Includes



### Installation Tools



### Final Product



It can be applied to 0.7 mm and above steel sheet panels.

**ATTENTION! CANNOT be used on main and corner anchors!**



1,9 kg

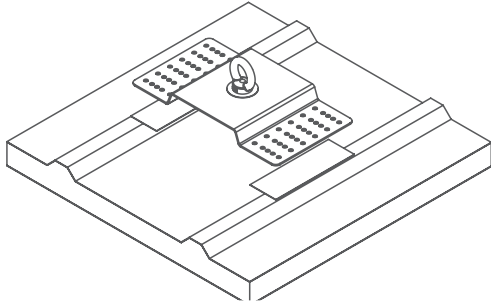
Min. Breaking Load 30 kN

Material

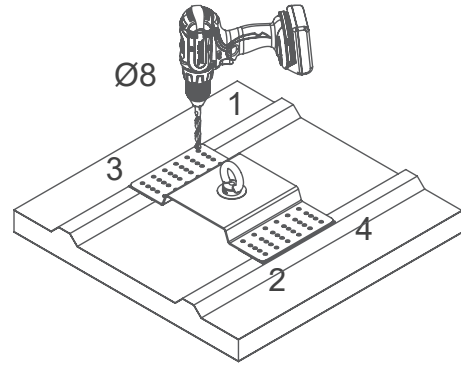
AISI 304



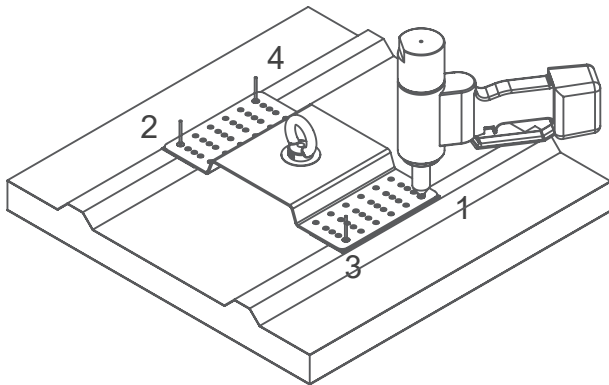
After the relevant XTR product is mounted on the ANC-PNL-02 Plate, the plate is mounted on the roof in the specified order.



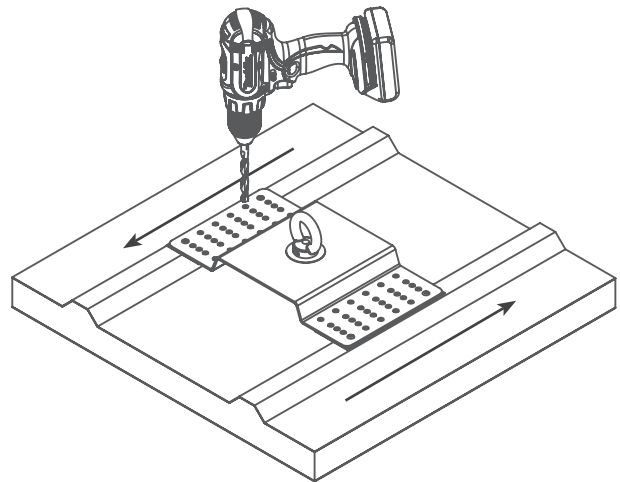
Insulating tapes and plate are aligned.



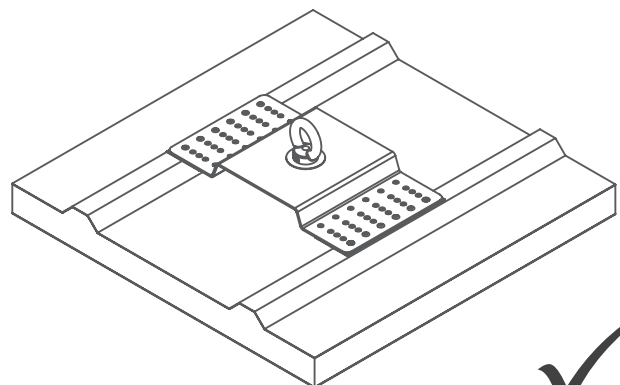
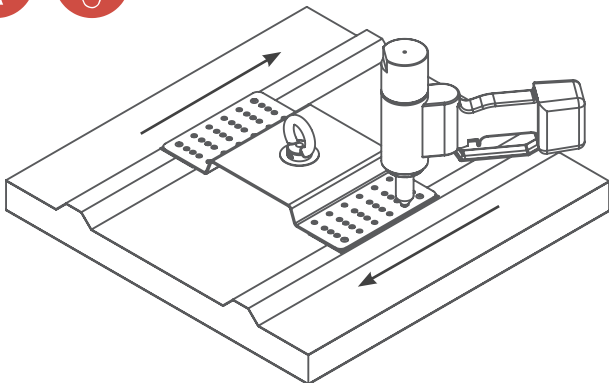
The holes in the 4 corners of the plate are drilled as a guide.



Riveting is made to the 4 corners of the plate.



The remaining holes are tapped.



The remaining holes are riveted. At least 6 holes must be riveted on both sides of the plate.